

# Check Valves

## RPC 06

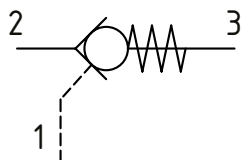
Pilot Operated Check Valve, Port 1 Pilot to Open

350 bar [5000 psi] • 35 l/min [9 US gpm]

### DESCRIPTION AND OPERATION

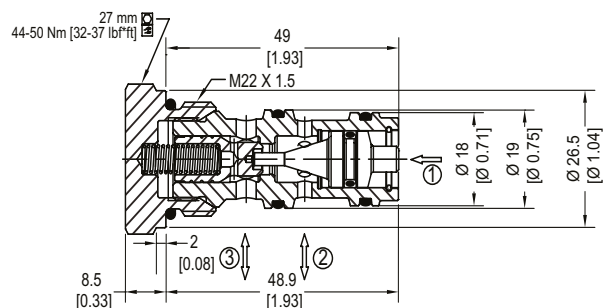
This is a pilot operated check valve where free flow takes place from port 2 to 3 and is blocked from port 3 to 2 until pilot pressure is applied to port 1.

### SCHEMATIC



### DIMENSIONS

mm [in]



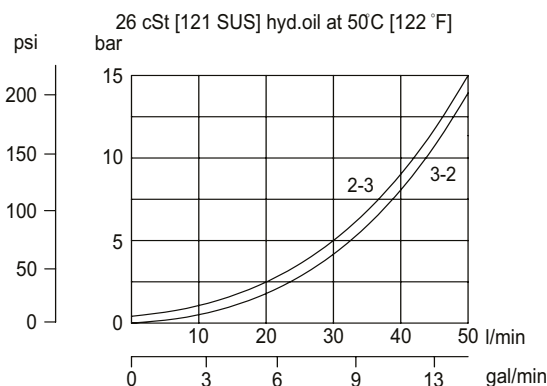
### PERFORMANCE DATA

Rated pressure*	350 bar [5000 psi]
Rated flow at 7 bar [100 psi]	35 l/min [9 US gpm]
Weight	0.10 kg [0.22 lb]
Pilot Ratio	3.4:1
Cavity	NCS06/3

\*Rated pressure based on NFPA fatigue test standard [at 1 million cycles]  
Note: A piston seal requires a 5 bar [72.5 psi] or greater return spring.

### PERFORMANCE CURVES

#### Pressure drop



### MODEL CODE

RPC06 - 5 - OR - 00 - V

#### Crack Pressure

Code	Bar	Psi
0.5	0.5	[7]
2	2	[30]
5	5	[73]
10	10	[145]

#### Pilot Seal Option

Omit	-No seals
OR	-Seals

#### Seal Option

Code	Seal kit
Omit-Buna-N	230000070
V-Viton	230000110

#### Housing

Code	Ports & Material	Housing Model Code
00	No Housing	No Housing
SE3/8	AL, 3/8 BSP	NCS06/3-SE-3/8
SE1/2	AL, 1/2 BSP	NCS06/3-SE-1/2
SE6S	AL, #6 SAE	NCS06/3-SE-6S
SE8S	AL, #8 SAE	NCS04/3-SE-8S

\* Aluminum bodies are to be used for pressures less than 210 bar [3000 psi].

\* Additional housings available