

DEVI EasyConnect



DEVI EasyConnect is a system that enables you to connect your self-limiting heating cables - DEVliceguard™ (T), DEVpipeguard™ (T), DEVpipeguard™ LSZH and modify your heat tracing circuit in 1 click. You can use the EasyConnect indoors as well as outdoors. The connectors are IP 68 rated by VDE and CE marked. This

3 pole Connector is rated for 240 Volt and 20 Amps and can be used within a temperature range of -40° to 100°C. The modular design allows a variety of combinations of the connections. The system is compatible with DEVpipeguard™ (T), DEVpipeguard™ LSZH and DEVliceguard™ (T).

Benefits:

- Easy to install
- Cut to length on site
- High temperature cable

Standard compliance:

- DIN VDE 0606 T200
- DIN EN 61984 (VDE 0627)
- VDE 0110 IEC 60999
- LR Type Approval System

Compliance symbols:



Connection sets

Type	Value
Nominal voltage, max.	250 V~
Max. current	16 A
Max. permissible use temperature	100 °C
Min. permissible use temperature	-40 °C
Power cable	3 x 2,5 mm ²
Outer sheath	thermoplastic, PA66
Protection class	IP68 (2 hours in water 3 meters deep)
Seal	NBR (Nitrile Butadiene Rubber)

Junction box (EC-JB4)

Type	Value
Operation voltage, max.	250 V~
Max. current	16 A
Max. permissible use temperature	70 °C
Min. permissible use temperature	-20 °C
Outer sheath	PS (polystyrene)
Protection class	IP65

Types

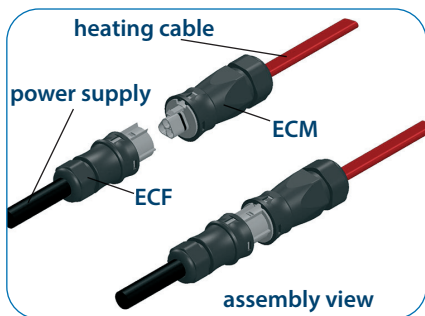
Item no.	Type	Resistance	EAN no.
98300870	DEVI EasyConnect EC-1	Power supply connection set	5703466214503
98300871	DEVI EasyConnect EC-T1	Connection set for 2 heating cables	5703466214510
98300872	DEVI EasyConnect EC-ETK	End plug set	5703466214527
98300873	DEVI EasyConnect EC-1+ETK	Power supply connection set with an end plug	5703466214534
98300874	DEVI EasyConnect EC-T2	Set for heating cable branching – 1 to 2	5703466214541
98300875	DEVI EasyConnect EC-2	Power supply connection set for 2 cables	5703466214558
98300876	DEVI EasyConnect EC-3	Power supply connection set for 3 cables	5703466214565
98300877	DEVI EasyConnect EC-JB4	Junction box for connecting 4 heating cables - 1 to 4	5703466214572

Make it easy,
make it DEVI

DEVI EasyConnect

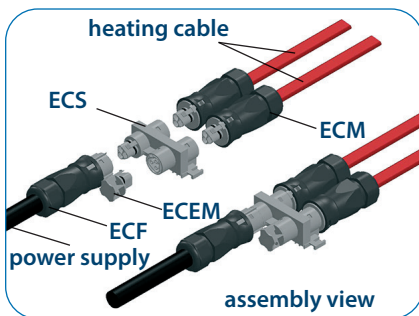
EC-1 (98300870).

Power supply connection set



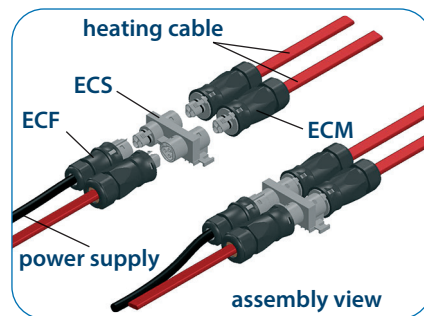
EC-2 (98300875).

Power supply connection set for 2 cables



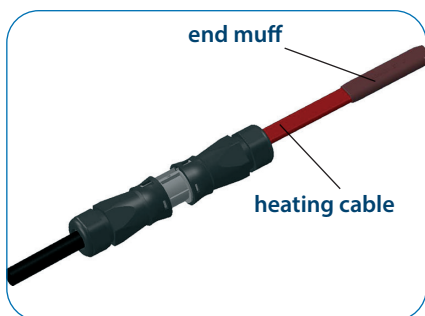
EC-3 (98300876).

Power supply connection set for 3 cables



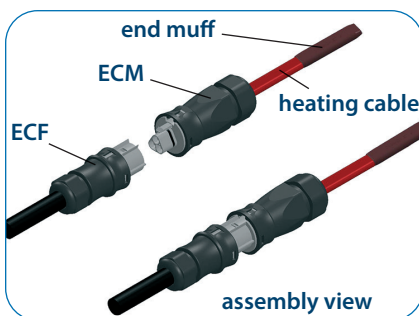
EC-ETK (98300872).

End plug set



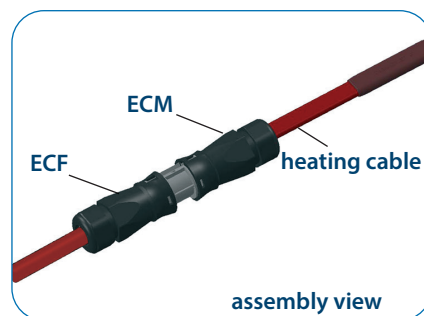
EC-1 + ETK (98300873).

Power supply connection set with an end plug



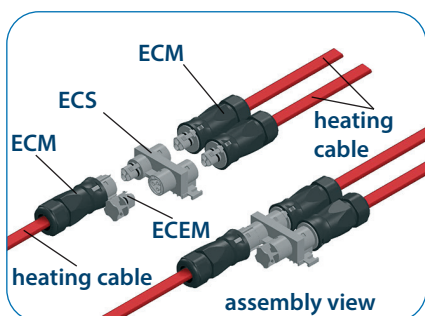
EC-T1 (98300871).

Connection set for heating to heating cable.

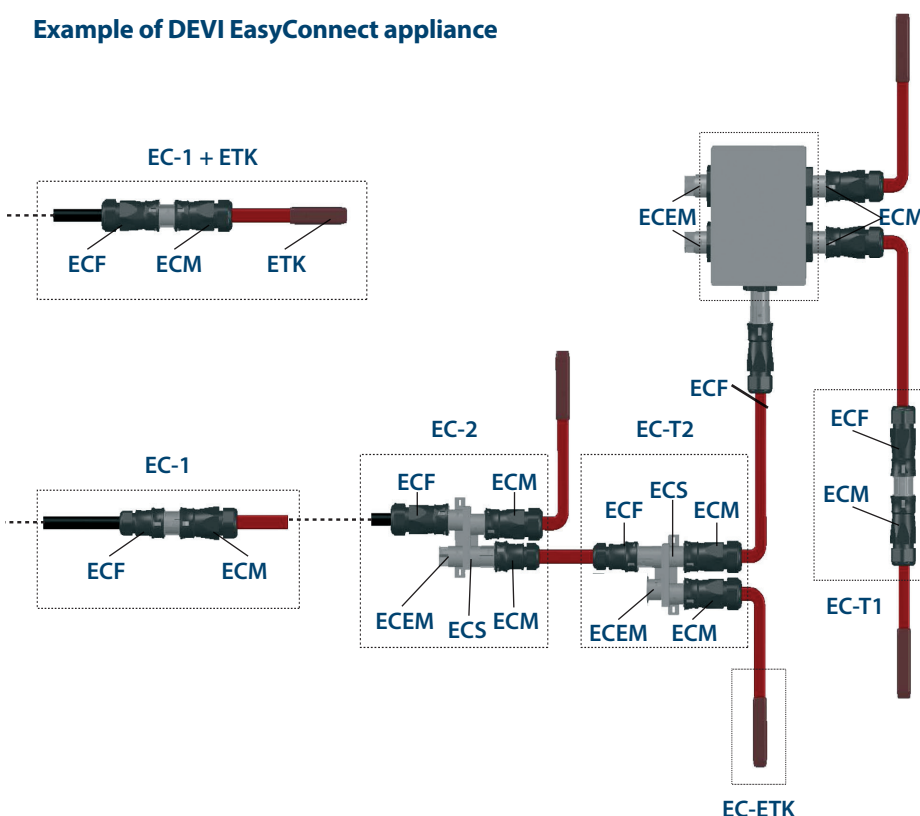


EC-T2 (98300874).

Set for heating cable branching – 1 to 2

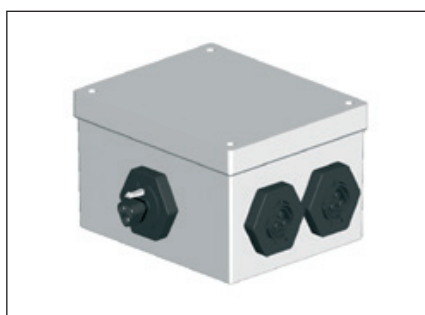


Example of DEVI EasyConnect appliance



EC-JB4 (98300877).

Junction box for connecting 4 heating cables - 1 to 4



ECF - socket outlet (Female), **ECM** - socket plug (Male),
ECEM - socket plug cover(Male), **ECS** - distribution block.