

Directional Control Valves

3CP2

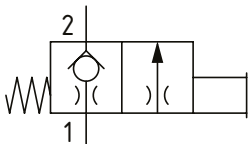
Manual Push Valve, 2-Way, Normally Closed, Poppet Type with Check

210 bar [3000 psi] • 15 l/min [4 US gpm]

DESCRIPTION AND OPERATION

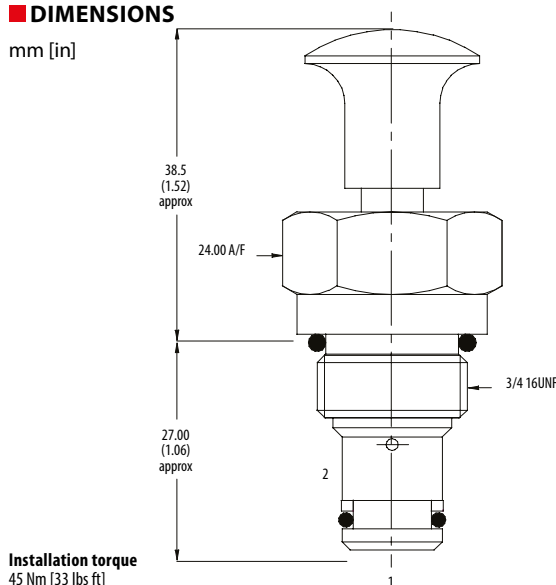
This is a 2-way, normally closed, restricted, poppet type, push to open directional control valve. In the normal position, flow is blocked from 1 to 2. When the knob is manually pushed downward, port 1 is connected to port 2 through a pre-determined orifice. This valve is ideal for emergency lowering applications. It is not recommended to flow from port 2 to port 1. If this is needed, please consult the factory.

SCHEMATIC



DIMENSIONS

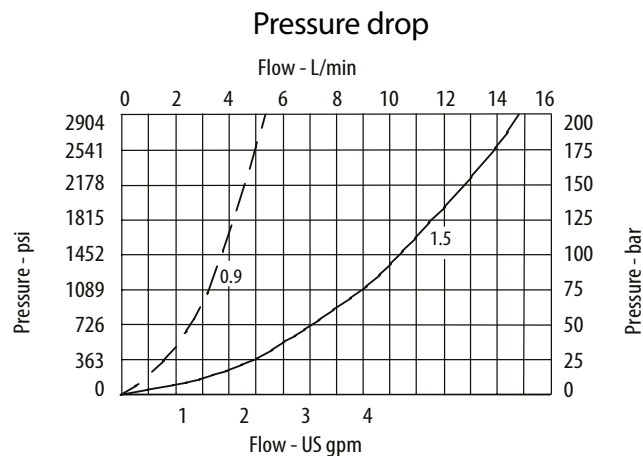
mm [in]



PERFORMANCE DATA

Rated pressure	210 bar [3000 psi]
Rated flow	15 l/min [4 US gpm]
Leakage	5 drops/min nominal
Weight	0.5 kg [0.11 lb]
Cavity	SDC08-2

PERFORMANCE CURVES



MODEL CODE

3CP2 - 2W - 0.9 - S - 377

Basic Code

3CP2 - No housing
3CP25 - Cartridge and housing

Housing

Code	Ports	Aluminum	Steel
0	No housing		
2W	1/4" BSP	A1485	
3W	3/8" BSP	A1043	A18175
6T	3/8" SAE	A15676	A14843

* Aluminum bodies are to be used for pressures less than 210 bar [3000 psi].

* Additional housings available

Housing Material

Omit-Aluminum/No housing
377-Steel

Seal Option

Code	Seal Kit
S-Buna-N	SK187
SV-Viton	SK187V

Orifice Size

0.9-0.9 mm
1.5-1.5 mm