

Directional Control Valves

MLV9-12-A

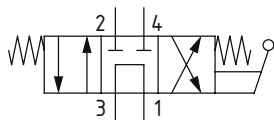
Manual Lever Valve, 4-Way, Spool Type

210 bar [3000 psi] • 60 l/min [16 US gpm]

DESCRIPTION AND OPERATION

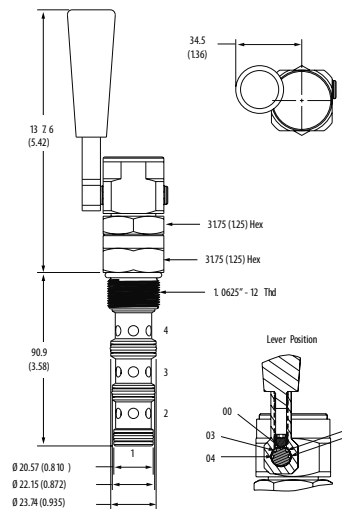
This is a 4-way, spool type, 3 position lever operated directional control valve. In the center position, port 1 is open to port 3 and ports 2 and 4 are blocked. By moving the lever, the flow path will change from ports 3-2 and 1-4 to ports 3-4 and 1-2.

SCHEMATIC



DIMENSIONS

mm [in]

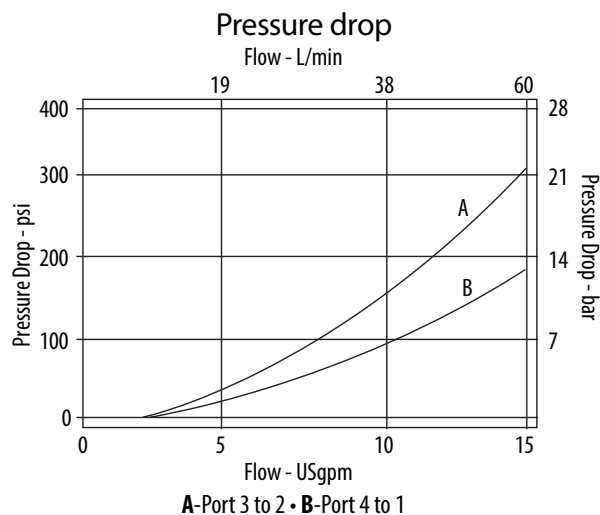


Installation torque
81-95 Nm [60-70 ft lbs]

PERFORMANCE DATA

Rated pressure	210 bar [3000 psi]
Rated flow	60 l/min [16 US gpm]
Leakage	246 ml/min [15 in ³ /min] @ 210 bar [3000 psi]
Weight	0.57 kg [1.25 lb]
Cavity	C-12-4

PERFORMANCE CURVES



MODEL CODE

MLV9 - 12 - V - A - 0 - L - A - 4G - 00

Seal Option

Code	Seal Kit
Omit-Buna-N	9900171-000
V-Viton	9900172-000

Detent Option

- O-Spring return
- D-Detent, spring centered

Actuator Option

- L-Lever

Housing Material

- Omit-No housing
- A-Aluminum

Lever position

- 00-90°
- 01-45°
- 02-0°
- 03-135°
- 04-180°

Housing

Code	Ports	Aluminum
0	No housing	
4G	1/2" BSP	5986431-001
6G	3/4" BSP	5986432-001
8H	#8 SAE	5986433-001
10T	#10 SAE	6030517-001
12H	#12 SAE	5986436-001

* Aluminum bodies are to be used for pressures less than 210 bar [3000 psi].

* Additional housings available