

# Directional Control Valves

## MLV9-12-F

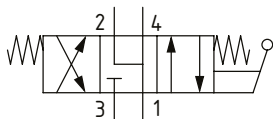
Manual Lever Valve, 4-Way, Spool Type

210 bar [3000 psi] • 60 l/min [16 US gpm]

### DESCRIPTION AND OPERATION

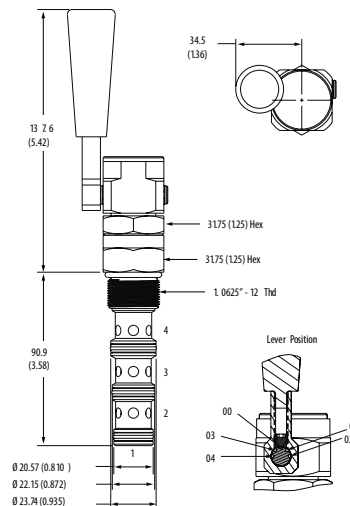
This is a 4-way, spool type, 3 position lever operated directional control valve. In the center position, ports 1, 2 and 4 are connected to each other, while port 3 is blocked. By moving the lever, the flow path will change from ports 3-2 and 1-4 to ports 3-4 and 1-2.

### SCHEMATIC



### DIMENSIONS

mm [in]

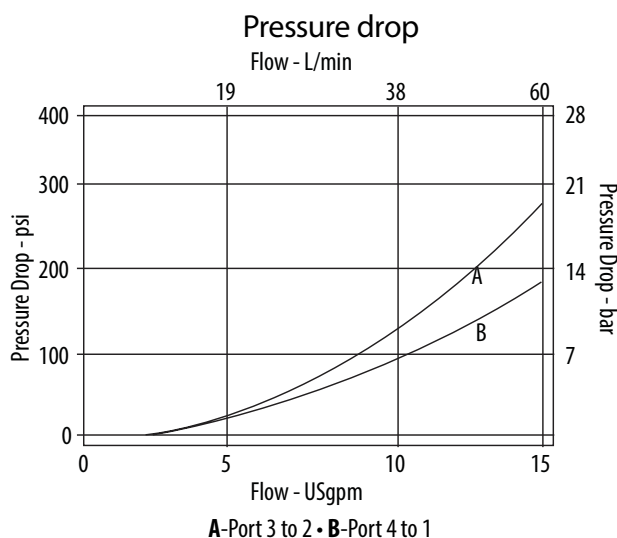


Installation torque  
81-95 Nm [60-70 ft lbs]

### PERFORMANCE DATA

Rated pressure	210 bar [3000 psi]
Rated flow	60 l/min [16 US gpm]
Leakage	246 ml/min [15 in <sup>3</sup> /min] @ 210 bar [3000 psi]
Weight	0.57 kg [1.25 lb]
Cavity	C-12-4

### PERFORMANCE CURVES



### MODEL CODE

MLV9 - 12 - V - F - 0 - L - A - 8H - 00

#### Seal Option

Code	Seal Kit
Omit-Buna-N	9900171-000
V-Viton	9900172-000

#### Detent Option

O-Spring return  
D-Detent, spring centered

#### Actuator Option

L-Lever

#### Housing Material

Omit-No housing  
A-Aluminum

#### Lever position

00-90°  
01-45°  
02-0°  
03-135°  
04-180°

#### Housing

Code	Ports	Aluminum
0	No housing	
4G	1/2" BSP	5986431-001
6G	3/4" BSP	5986432-001
8H	#8 SAE	5986433-001
10T	#10 SAE	6030517-001
12H	#12 SAE	5986436-001

\* Aluminum bodies are to be used for pressures less than 210 bar [3000 psi].  
\* Additional housings available