

Directional Control Valves

MPV1-10

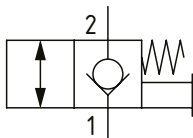
Manual Pull Valve, 2-Way, Normally Closed, Poppet Type

210 bar [3000 psi] • 45 l/min [12 US gpm]

DESCRIPTION AND OPERATION

This is a 2-way, normally closed, poppet type, pull to open directional control valve. In the normal position, flow is blocked from 2 to 1, while free reverse flow takes place from port 1 to 2 after overcoming the spring bias. When the knob is manually pulled upward, port 1 is connected to port 2 allowing free flow in both directions. This valve is ideal for emergency lowering applications.

SCHEMATIC

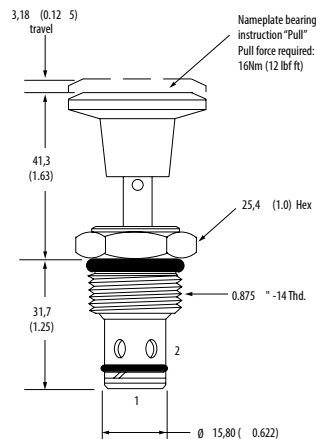


PERFORMANCE DATA

Rated pressure	210 bar [3000 psi]
Rated flow	45 l/min [12 US gpm]
Leakage	5 drops/min @ 210 bar [3000 psi]
Crack pressure	16 bar [230 psi]
Weight	0.11 kg [0.24 lb]
Cavity	SDC10-2

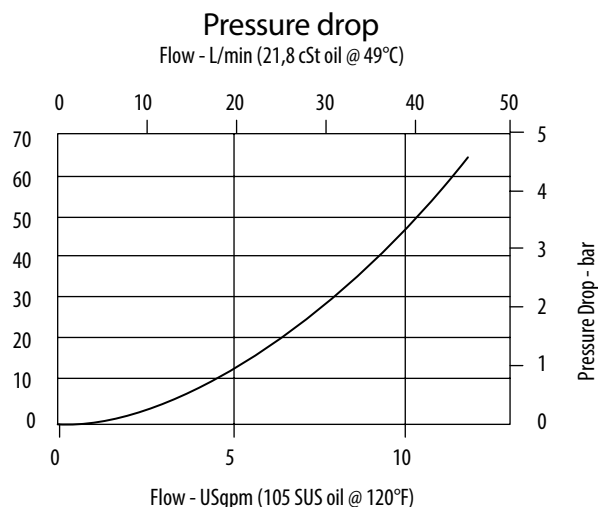
DIMENSIONS

mm [in]



Installation torque
47-54 Nm [35-40 ft lbs]

PERFORMANCE CURVES



MODEL CODE

MPV1 - 10 - V - T - 0

Seal Option

Code	Seal Kit
Omit-Buna-N	565803
V-Viton	566086

Actuator Option

T-Stem only
K-Knob

Housing

Code	Ports	Aluminum Standard duty	Aluminum Heavy duty
0	No housing		
3B	3/8" BSP	02-175462	
6T	#6 SAE	566151	
2G	1/4" BSP		876702
3G	3/8" BSP		876703
6H	#6 SAE		876700
8H	#8 SAE		876701

* Aluminum bodies are to be used for pressures less than 210 bar [3000 psi].

* Additional housings available