

Directional Control Valves

MPV3-10

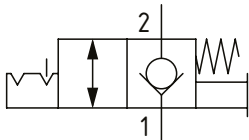
Manual Pull Valve with Detent, 2-Way, Normally Closed, Poppet Type

210 bar [3000 psi] • 45 l/min [12 US gpm]

DESCRIPTION AND OPERATION

This is a 2-way, normally closed, poppet type, pull to open directional control valve with a detent. In the normal position, flow is blocked from 2 to 1, while free reverse flow takes place from port 1 to 2 after overcoming the spring bias. When the knob is manually pulled upward, port 1 is connected to port 2 allowing free flow in both directions. The valve can be held open by twisting the knob to engage the detent. This is ideal for emergency lowering applications.

SCHEMATIC

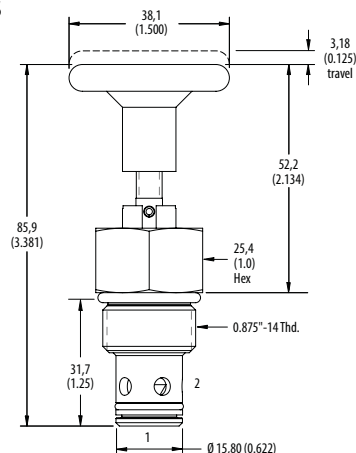


PERFORMANCE DATA

Rated pressure	210 bar [3000 psi]
Rated flow	45 l/min [12 US gpm]
Leakage	5 drops/min.@ 210 bar [3000 psi]
Crack pressure	16 bar [230 psi]
Weight	0.11 kg [0.24 lb]
Cavity	SDC10-2

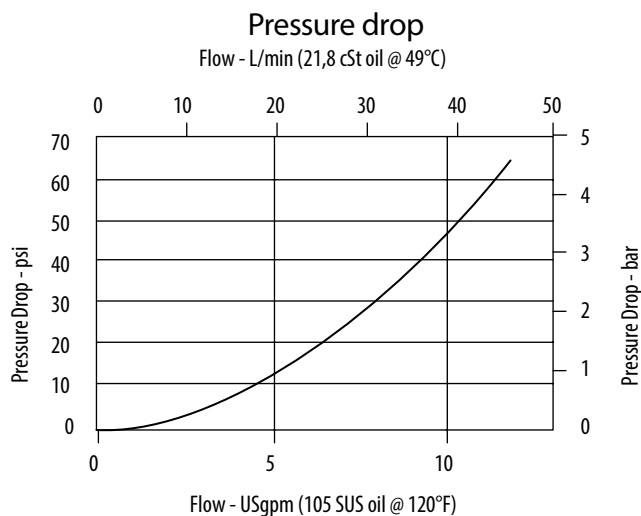
DIMENSIONS

mm [in]



Installation torque
47-54 Nm [35-40 ft lbs]

PERFORMANCE CURVES



MODEL CODE

MPV3 - 10 - V - T - 0

Seal Option

Code	Seal Kit
Omit-Buna-N	565803
V-Viton	566086

Actuator Option

T-Stem only
K-Knob

Housing

Code	Ports	Aluminum Standard duty	Aluminum Heavy duty
0	No housing		
3B	3/8" BSP	02-175462	
6T	#6 SAE	566151	
2G	1/4" BSP		876702
3G	3/8" BSP		876703
6H	#6 SAE		876700
8H	#8 SAE		876701

* Aluminum bodies are to be used for pressures less than 210 bar [3000 psi].
* Additional housings available