

# Directional Control Valves

## MRV2-10

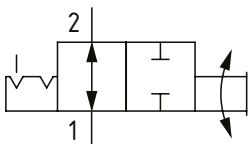
Manual Rotary Restrictor Valve, 2-Way, Spool Type

210 bar [3000 psi] • 57 l/min [15 US gpm]

### DESCRIPTION AND OPERATION

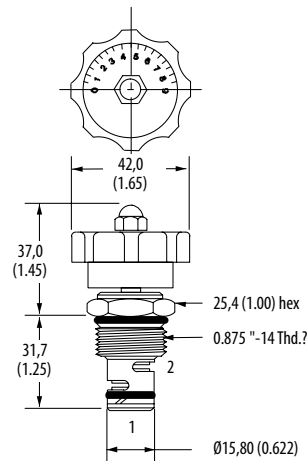
This is a 2-way, spool type, manually operated semi-rotary restrictor valve. By rotating the manual actuator, a variable orifice is opened or closed linearly between ports 2 and 1. When used in conjunction with a compensator, the valve will increase the flow in proportion to the movement of the manual actuator.

### SCHEMATIC



### DIMENSIONS

mm [in]

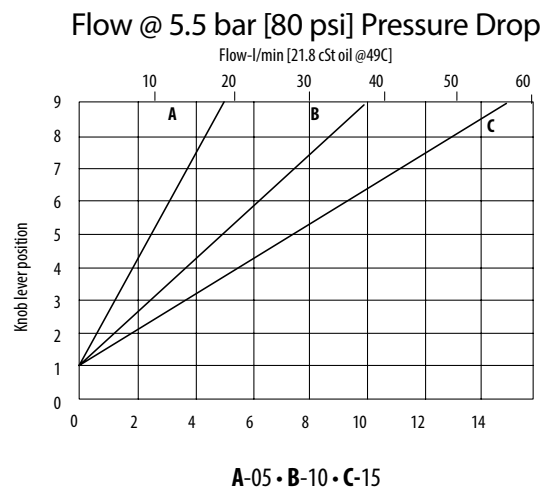


Installation torque  
47-54 Nm [35-40 ft lbs]

### PERFORMANCE DATA

Rated pressure	210 bar [3000 psi]
Rated flow	57 l/min [15 US gpm]
Leakage	164 ml/min [10 in <sup>3</sup> /min] @ 210 bar [3000 psi]
Weight	0.79 kg [1.74 lbs]
Cavity	SDC10-2

### PERFORMANCE CURVES



### MODEL CODE

MRV2 - 10 - V - B - 3B - 05

#### Seal Option

Code	Seal Kit
Omit-Buna-N	565803
V-Viton	566086

#### Actuator Option

- O - Cartridge only (no actuator)
  - B - Ball (friction lock)
  - E - Ball (10 position detent)
  - D - Lever (10 position detent)
  - L - Lever (friction lock)
  - K - Knob (non-locking)
- Standard duty housings only

#### Flow Range

Code	l/min	[US gpm]
05	0-19	[0-5]
10	0-38	[0-10]
15	0-57	[0-15]

#### Housing

Code	Ports	Aluminum Standard duty	Aluminum Heavy duty
0	No Housing		
3B	3/8" BSP	02-175462	
6T	#6 SAE	566151	
2G	1/4" BSP		876702
3G	3/8" BSP		876703
6H	#6 SAE		876700
8H	#8 SAE		876701

\* Aluminum bodies are to be used for pressures less than 210 bar [3000 psi].

\* Additional housings available