

Directional Control Valves

MRV3-10

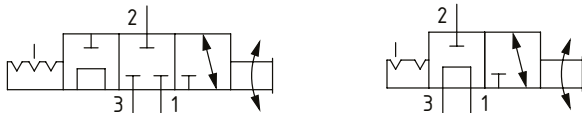
Manual Rotary Valve, 3-Way, Spool Type

210 bar [3000 psi] • 23 l/min [6 US gpm]

DESCRIPTION AND OPERATION

This is a 3-way, spool type, 2 or 3 position manually operated semi-rotary directional control valve. By rotating the manual actuator, the flow path will change from port 1 connected to port 3 (port 2 blocked) to port 1 connected to port 2 (port 3 blocked). Using the manual actuator and detent, the crossover condition can be used to create a third position with all ports blocked. This valve can be used as a diverter or as a dump valve.

SCHEMATIC



PERFORMANCE DATA

Rated pressure	210 bar [3000 psi]
Rated flow	23 l/min [6 US gpm]
Weight	0.22 kg [0.4 lb]
Cavity	SDC10-3

MODEL CODE

MRV3 - 10 - V - 0 - A - 3B

Seal Option

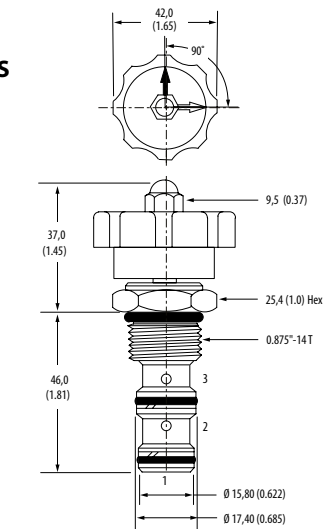
Code	Seal Kit
O mit-Buna-N	565804
V -Viton	889599

Actuator Option

- O** - Cartridge only (no actuator)
- D** - Lever (3-position detent)
- D2** - Lever (2-position detent)
- E** - Ball (3-position detent)
- E2** - Ball (2-position detent)
- K** - Knob (2-position, no detent)

Housing Material

- O**mit-No housing
- A**-Aluminum
- S**-Steel

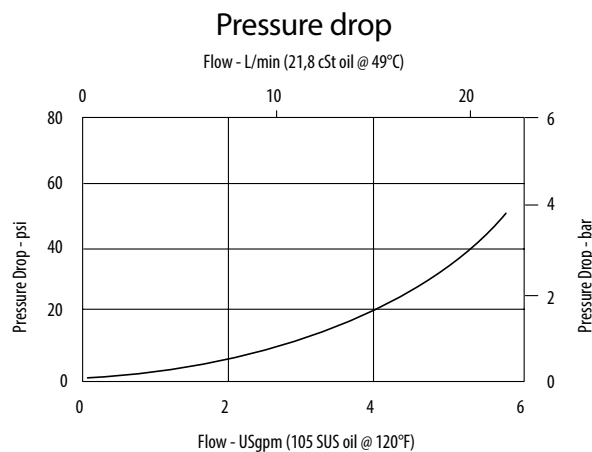


DIMENSIONS

mm [in]

Installation torque
47-54 Nm [35-40 ft. lbs]

PERFORMANCE CURVES



Housing

Code	Ports	Aluminum Standard duty	Aluminum Heavy duty	Steel
O	No Housing			
3B	3/8" BSP	02-173358		
6T	#6 SAE	566162		02-175124
8T	#8 SAE			02-175125
2G	1/4" BSP		876705	02-175127
3G	3/8" BSP		876714	02-175128
6H	#6 SAE		876704	
8H	#8 SAE		876711	

* Aluminum bodies are to be used for pressures less than 210 bar [3000 psi].
* Additional housings available