

Directional Control Valves

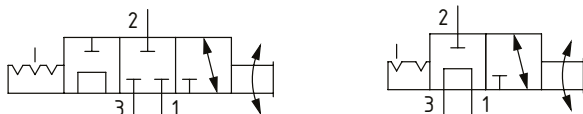
MRV3-16

Manual Rotary Valve, 3-Way, Spool Type
210 bar [3000 psi] • 65 l/min [17 US gpm]

DESCRIPTION AND OPERATION

This is a 3-way, spool type, 2 or 3 position manually operated semi-rotary directional control valve. By rotating the manual actuator, the flow path will change from port 1 connected to port 3 (port 2 blocked) to port 1 connected to port 2 (port 3 blocked). Using the manual actuator and detent, the crossover condition can be used to create a third position with all ports blocked. This valve can be used as a diverter or as a dump valve.

SCHEMATIC



PERFORMANCE DATA

Rated pressure	210 bar [3000 psi]
Rated flow	65 l/min [17 US gpm]
Weight	0.53 kg [1.16 lb]
Cavity	SDC16-3

MODEL CODE

MRV3 - 16 - V - 0 - A - 6B

Seal Option

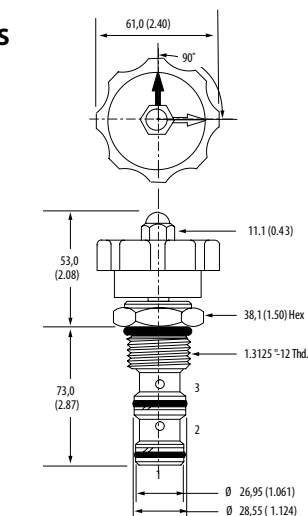
Code	Seal Kit
O mit-Buna-N	889632
V -Viton	889636

Actuator Option

- O** - Cartridge only (no actuator)
- D** - Lever (3-position detent)
- D2** - Lever (2-position detent)
- K** - Knob (2 position, no detent)

Housing Material

- O**mit-No housing
- A**-Aluminum
- S**-Steel

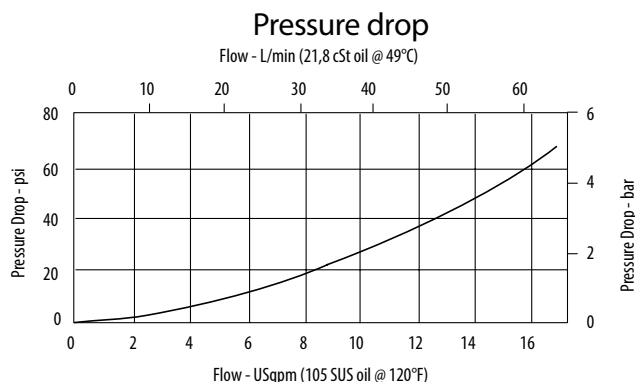


DIMENSIONS

mm [in]

Installation torque
 108-122 Nm [80-90 ft. lbs]

PERFORMANCE CURVES



Housing

Code	Ports	Aluminum Standard duty	Aluminum Heavy duty	Steel
0	No Housing			
6B	3/4" BSP	02-175465		
10H	SAE10		876721	
12H	SAE12		876723	
4G	1/2" BSP		876720	02-175131
6G	3/4" BSP		876722	02-175132
10T	#10 SAE			02-175129
12T	#12 SAE	566152		02-175130

* Aluminum bodies are to be used for pressures less than 210 bar [3000 psi].
 * Additional housings available