

Directional Control Valves

MRV15-16

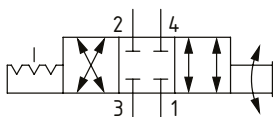
Manual Rotary Valve, 4-Way, Spool Type

350 bar [5000 psi] • 45 l/min [12 US gpm]

DESCRIPTION AND OPERATION

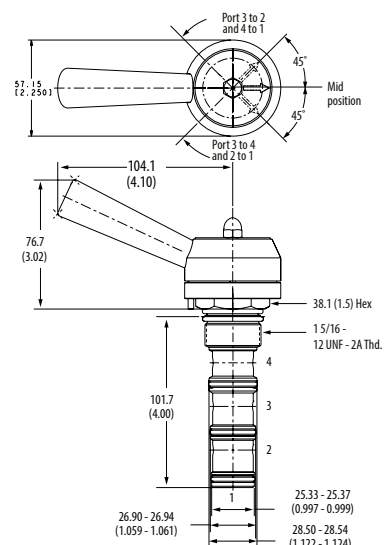
This is a 4-way, spool type, 2 or 3 position manually operated semi-rotary directional control valve. In the center position all ports are blocked. By rotating the manual actuator, the flow path will change from ports 3-2 and 1-4 to ports 3-4 and 1-2.

SCHEMATIC



DIMENSIONS

mm [in]

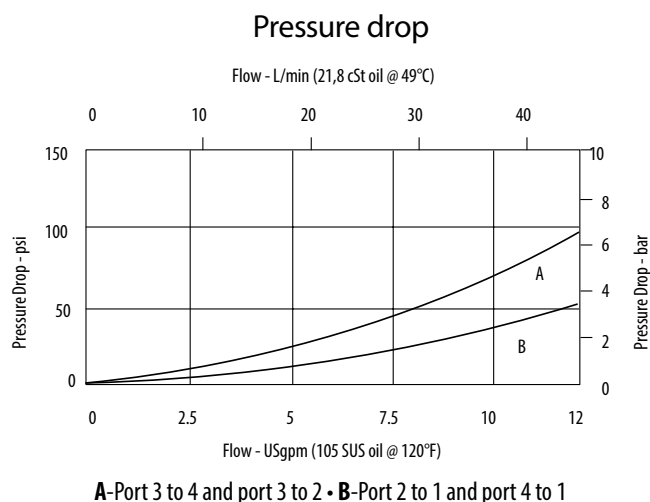


Installation torque
 A-108-122 Nm [80-90 ft. lbs]
 S-136-147 Nm [100-110 ft. lbs]

PERFORMANCE DATA

Rated pressure	350 bar [5000 psi]
Rated flow	45 l/min [12 US gpm]
Leakage	300 ml/min [18 in ³ /min] @ 350 bar [5000 psi]
Weight	0.65 kg [1.43 lb]
Cavity	SDC16-4

PERFORMANCE CURVES



MODEL CODE

MRV15 - 16 - V - D - A - 12T

Seal Option

Code	Seal Kit
Omit-Buna-N	889634
V-Viton	889638

Actuator Option

O-Cartridge only (no actuator)
D-Lever (3-position detent)

Housing Material

Omit-No housing
A-Aluminum
S-Steel

Housing

Code	Ports	Aluminum Standard duty	Aluminum Heavy duty	Steel
0	No housing			
10T	#10 SAE			02-175141
12T	#12 SAE	566411		02-175142
6B	3/4" BSP	02-175468		
10H	#10 SAE		876729	
12H	#12 SAE		876731	
4G	1/2" BSP		876728	02-175143
6G	3/4" BSP		876730	02-175144

* Aluminum bodies are to be used for pressures less than 210 bar [3000 psi].

* Additional housings available