

# Directional Control Valves

## MSV11-10

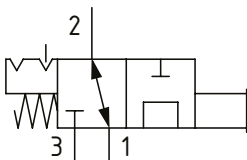
Manual Push Valve with Detent, 3-Way, Spool Type

350 bar [5000 psi] • 23 l/min [6 US gpm]

### DESCRIPTION AND OPERATION

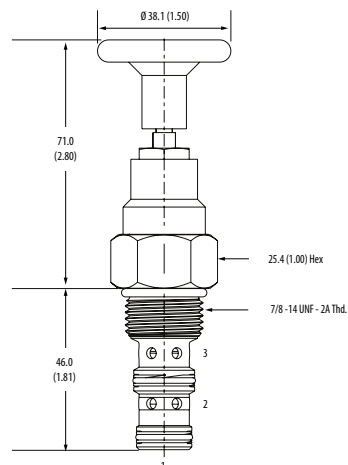
This valve is a normally open, restricted, pilot to close poppet valve. In the normal position, flow can pass from port 1 to 2 or port 2 to 1. When pressure is applied to port 3 the valve will close, preventing oil from passing from port 1 to 2. Pressure in port 2 will open the valve, allowing flow to pass from port 2 to 1. The ideal application for this valve is as an accumulator discharge valve. When the power is removed and the pilot pressure reduces to zero, the accumulator pressure can be discharged through this valve in a controlled manner.

### SCHEMATIC



### DIMENSIONS

mm [in]

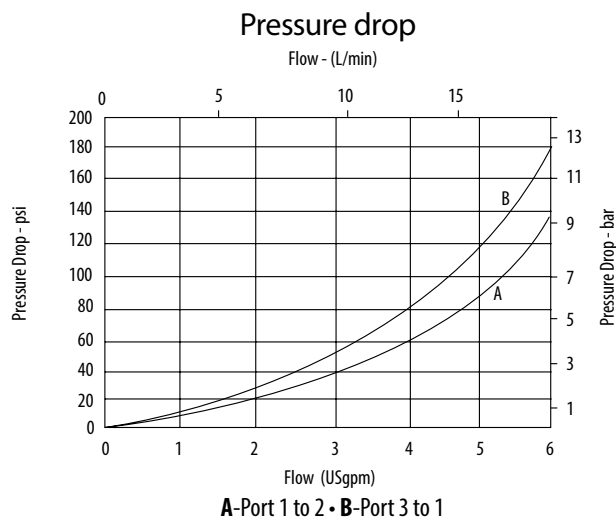


**Installation torque**  
 A-47-54 Nm (35-40 ft. lbs)  
 S-68-75 Nm (50-55 ft. lbs)

### PERFORMANCE DATA

<b>Rated pressure</b>	<b>350 bar [5000 psi]</b>
<b>Rated flow</b>	<b>23 l/min [6 US gpm]</b>
<b>Leakage</b>	350 ml/min [21.5 in <sup>3</sup> /min] @ 210 bar [3000 psi]
<b>Weight</b>	0.25 kg [0.55 lb]
<b>Cavity</b>	SDC10-3

### PERFORMANCE CURVES



### MODEL CODE

**MSV11 - 10 - V - L - A - 2G**

#### Seal Option

Code	Seal Kit
<b>Omit</b> -Buna-N	889624
<b>V</b> -Viton	889628

#### Actuator Option

L-Push and Twist, with detent  
 E-Push/Pull, with detent  
 N-No detent, momentary actuation

#### Housing Material

**Omit**-No housing  
 A-Aluminum  
 S-Steel

#### Housing

Code	Ports	Aluminum	Steel
<b>0</b>	No housing		
<b>2G</b>	1/4" BSP	876705	02-175127
<b>3G</b>	3/8" BSP	876714	02-175128
<b>6H</b>	#6 SAE	876704	
<b>8H</b>	#8 SAE	876711	
<b>6T</b>	#6 SAE		02-175124
<b>8T</b>	#8 SAE		02-175125

\* Aluminum bodies are to be used for pressures less than 210 bar [3000 psi].

\* Additional housings available