

Directional Control Valves

MSV17-10

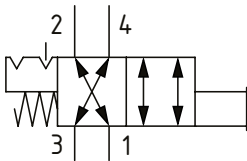
Manual Push Valve with Detent, 4-Way, Spool Type

350 bar [5000 psi] • 19 l/min [5 US gpm]

DESCRIPTION AND OPERATION

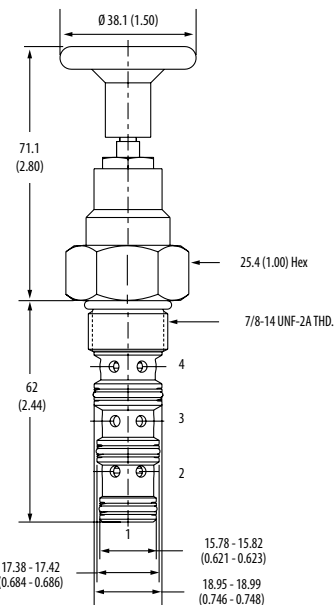
This is a 4-way, spool type, 2 position, push to open directional control valve with a push and twist detent. In the normal position port 1 is connected to port 2 and port 3 is connected to port 4. When the knob is manually pushed downward, port 1 is connected to port 4 and port 3 is connected to port 2. It can be held in this position by twisting the knob to engage the detent. The valve can be used to reverse an actuator until manual intervention takes place.

SCHEMATIC



DIMENSIONS

mm [in]

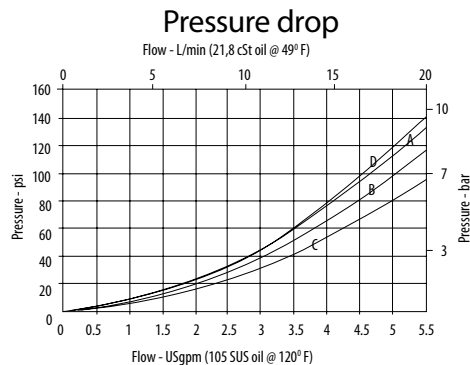


Installation torque
A-47-54 Nm [35-40 ft. lbs]
S-68-75 Nm [50-55 ft. lbs]

PERFORMANCE DATA

Rated pressure	350 bar [5000 psi]
Rated flow	19 l/min [5 US gpm]
Leakage	350 ml/min [21.5 in ³ /min] @ 210 bar [3000 psi]
Weight	0.28 kg [0.61 lb]
Cavity	SDC10-4

PERFORMANCE CURVES



A-Port 3 to 2 (actuated) • **B**-Port 3 to 4
C-Port 2 to 1 • **D**-Port 4 to 1 (actuated)

MODEL CODE

MSV17 - 10 - V - L - A - 6T

Seal Option

Code	Seal Kit
Omit -Buna-N	889625
V -Viton	566080

Actuator Option

L-Push and Twist, with detent
E-Push/Pull, with detent
N-No detent, momentary actuation

Housing Material

Omit - No housing
A - Aluminum
S - Steel

Housing

Code	Ports	Aluminum	Steel
0	No housing		
2G	1/4" BSPP	02-185804	02-175139
3G	3/8" BSPP	02-185805	02-175140
6H	#6 SAE	02-185802	
8H	#8 SAE	02-185803	
6T	#6 SAE		02-175137
8T	#8 SAE		02-175138

* Aluminum bodies are to be used for pressures less than 210 bar [3000 psi].
 * Additional housings available