

Directional Control Valves

PTS5-16

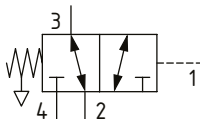
Directional Control Valve, 3-Way, Spool Type, Hydraulic Pilot, Atmospheric Vent

210 bar [3000 psi] • 132 l/min [35 US gpm]

DESCRIPTION AND OPERATION

This is a 3-way, spool type, hydraulically piloted directional control valve with an atmospheric vent. In the normal condition, port 3 is connected to port 4 with port 2 blocked. Pilot pressure at port 1 will cause the valve to shift, connecting port 3 to port 2 with port 4 blocked. During the cross-over transition all ports are open. Due to the atmospheric vent, the pilot pressure required to keep the valve switched is independent of the pressure at the work ports.

SCHEMATIC

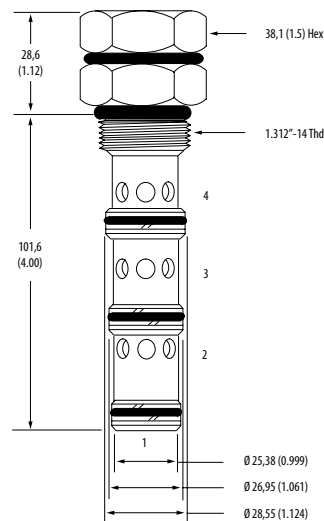


PERFORMANCE DATA

Rated pressure	210 bar [3000 psi]
Rated flow	132 l/min [35 US gpm]
Leakage	164 ml/min [10 in ³ /min] @ 210 bar [3000 psi]
Weight	0.5 kg [1.12 lb]
Cavity	SDC16-4

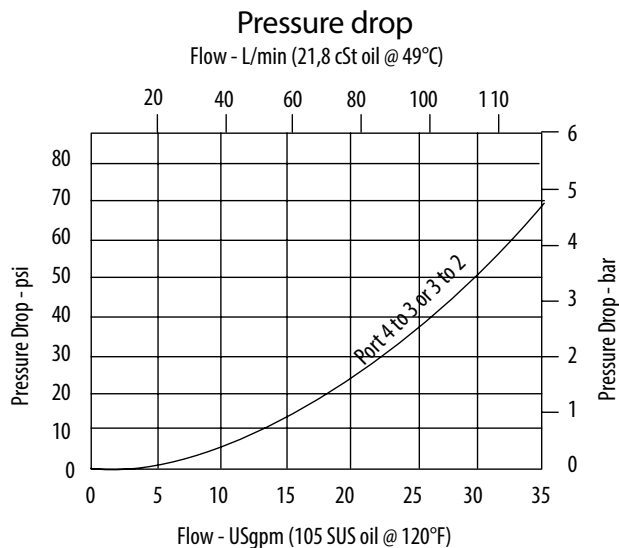
DIMENSIONS

mm [in]



Installation torque
108-122 Nm [80-90 ft. lbs]

PERFORMANCE CURVES



MODEL CODE

PTS5 - 16 - V - A - 6B - 40

Seal Option

Code	Seal Kit
Omit-Buna-N	889634
V-Viton	889638

Housing Material

Omit-No housing
A-Aluminum
S-Steel

Shift Pressure

Code	Bar	[Psi]
40	2.75	[40]
80	5.5	[80]
160	11.0	[160]

Housing

Code	Ports	Aluminum Standard duty	Aluminum Heavy duty
0	No housing		
12T	#12 SAE	566411	
6B	3/4" BSP	02-175468	
10H	#10 SAE		876729
12H	#12 SAE		876731
4G	1/2" BSP		876728
6G	3/4" BSP		876730

* Aluminum bodies are to be used for pressures less than 210 bar [3000 psi].

* Additional housings available