

# Directional Control Valves

## PTS9-12

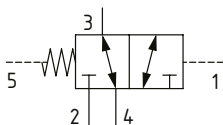
Directional Control Valve, 3-Way, Spool Type, Hydraulic Pilot, External Drain

**280 bar [4000 psi] • 76 l/min [20 US gpm]**

### DESCRIPTION AND OPERATION

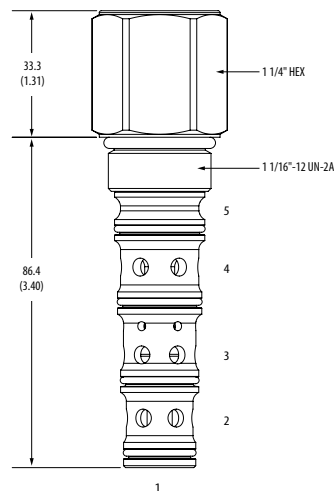
This is a 3-way, spool type, hydraulically piloted directional control valve with an external drain at port 5. In the normal condition, port 3 is connected to port 4 with port 2 blocked. Pilot pressure at port 1 will cause the valve to shift, connecting port 3 to port 2 with port 4 blocked. In the crossover transition all ports are open. Due to the external drain, the pilot pressure required shift the valve is dependent on the pressure in port 5, which would normally be connected to tank.

### SCHEMATIC



### DIMENSIONS

mm [in]

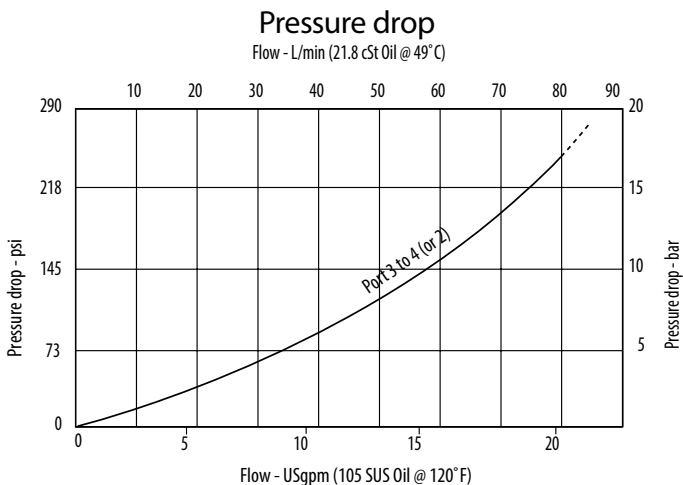


**Installation torque**  
 A-81-95 Nm [60-70 ft lbs]  
 S-102-115 Nm [75-85 ft lbs]

### PERFORMANCE DATA

<b>Rated pressure</b>	<b>280 bar [4000 psi]</b>
<b>Rated flow</b>	<b>76 l/min [20 US gpm]</b>
<b>Leakage</b>	164 ml/min [10 in <sup>3</sup> /min] @ 210 bar [3000 psi]
<b>Weight</b>	0.36 kg [0.79 lb]
<b>Cavity</b>	C-12-55

### PERFORMANCE CURVES



### MODEL CODE

**PTS9 - 12 - U - A - 12T - 075**

#### Seal Option

Code	Seal Kit
U-Urethane	202914-921

#### Housing Material

0-No housing  
 A-Aluminum  
 S-Steel

#### Housing

Code	Port 2, 3 & 4	Port 1 & 5	Aluminum	Steel
000	No Housing			
12T	#12 SAE	#4 SAE	4998820-002	4998821-002
06G	3/4" BSP	1/4" BSP	4998820-004	4998821-004

\* Aluminum bodies are to be used for pressures less than 210 bar [3000 psi].

\* Additional housings available

#### Shift Pressure

Code	Bar	[Psi]
075	5.2	[75]
110	7.6	[110]