

# Directional Control Valves

## PTS9-20

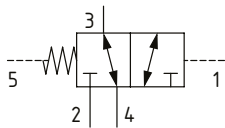
Directional Control Valve, 3-Way, Spool Type, Hydraulic Pilot, External Drain

280 bar [4000 psi] • 230 l/min [60 US gpm]

### DESCRIPTION AND OPERATION

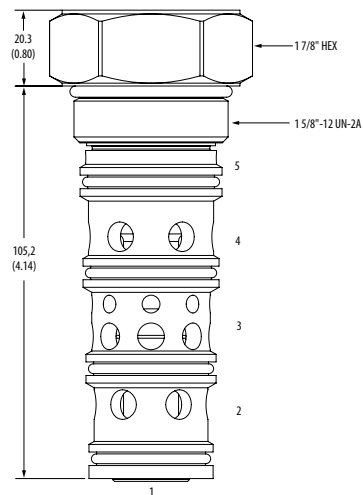
This is a 3-way, spool type, hydraulically piloted directional control valve with an external drain at port 5. In the normal condition, port 3 is connected to port 4 with port 2 blocked. Pilot pressure at port 1 will cause the valve to shift, connecting port 3 to port 2 with port 4 blocked. In the crossover transition all ports are open. Due to the external drain, the pilot pressure required shift the valve is dependent on the pressure in port 5, which would normally be connected to tank.

### SCHEMATIC



### DIMENSIONS

mm [in]

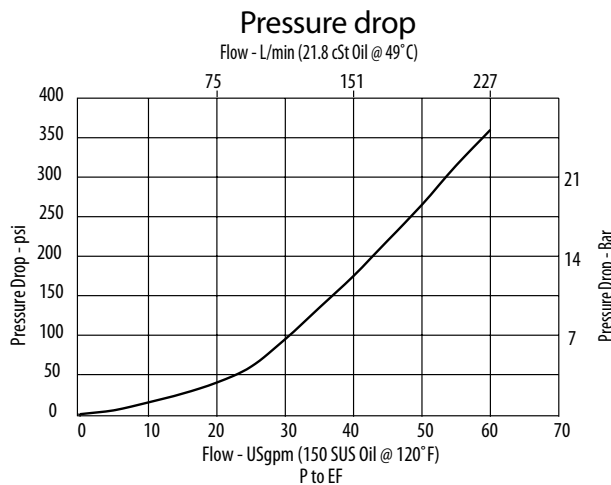


Installation torque  
160-180 Nm [120-135 ft. lbs]

### PERFORMANCE DATA

Rated pressure	280 bar [4000 psi]
Rated flow	230 l/min [60 US gpm]
Leakage	164 ml/min [10 in <sup>3</sup> /min] @ 210 bar [3000 psi]
Weight	0.86 kg [1.9 lb]
Cavity	C-20-5S

### PERFORMANCE CURVES



### MODEL CODE

**PTS9 - 20 - U - A - 16T - 040**

#### Seal Option

Code	Seal Kit
U-Urethane	02-187543

#### Housing Material

0-No housing  
A-Aluminum  
S-Steel

#### Housing

Code	Port 2, 3 & 4	Port 1 & 5	Aluminum	Steel
000	No Housing			
16T	#16 SAE	#4 SAE	4998822-002	4998823-002
08G	1" BSP	1/4" BSP	4998822-004	4998823-004

\* Aluminum bodies are to be used for pressures less than 210 bar [3000 psi].

\* Additional housings available

#### Shift Pressure

Code	Bar	[Psi]
040	2.75	[40]
080	5.5	[80]