

Directional Control Valves

PTS11-12

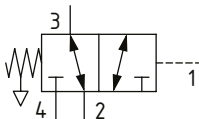
Directional Control Valve, 3-Way, Spool Type, Hydraulic Pilot, Atmospheric Vent

350 bar [5000 psi] • 76 l/min [20 US gpm]

DESCRIPTION AND OPERATION

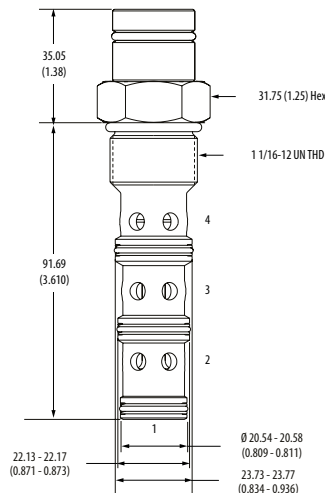
This is a 3-way, spool type, hydraulically piloted directional control valve with an atmospheric vent. In the normal condition, port 2 is connected to port 3 and port 4 is blocked. Pilot pressure at port 1 will cause the valve to shift, connecting port 3 to port 4 with port 2 blocked. During the cross-over transition, all ports are blocked. This valve can be used as a selector valve when combined with a pilot solenoid valve.

SCHEMATIC



DIMENSIONS

mm [in]

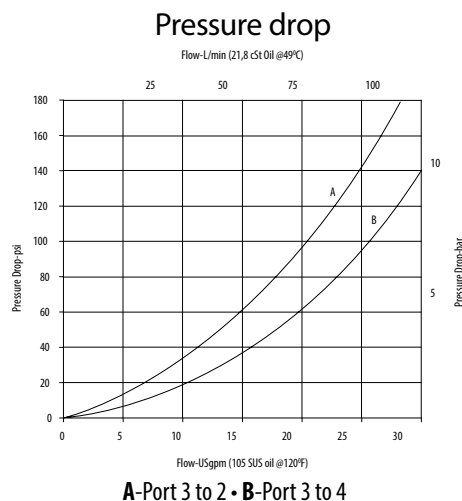


Installation torque
 A-81-95 Nm [60-70 ft. lbs]
 S-102-115 Nm [75-85 ft. lbs]

PERFORMANCE DATA

Rated pressure	350 bar [5000 psi]
Rated flow	76 l/min [20 US gpm]
Leakage	250 ml/min [15 in ³ /min] @ 350 bar [5000 psi]
Weight	0.32 kg [0.70 lb]
Cavity	C-12-4

PERFORMANCE CURVES



MODEL CODE

PTS11 - 12 - V - A - 4G - 80

Seal Option

Code	Seal Kit
Omit-Buna-N	02-160979
V-Viton	02-160980

Housing Material

Omit-No housing
A-Aluminum
S-Steel

Shift Pressure

Code	Bar	[Psi]
80	5.5	[80]
120	8.3	[120]

Housing

Code	Ports	Aluminum Heavy Duty	Steel
0	No housing		
4G	1/2" BSP	5986431-001	
6G	3/4" BSP	5986432-001	5991073-001
8H	#8 SAE	5986433-001	
10H	#10 SAE	5986434-001	5991074-001
12H	#12 SAE	5986436-001	5991075-001

* Aluminum bodies are to be used for pressures less than 210 bar [3000 psi].

* Additional housings available