

Directional Control Valves

PTS12-10

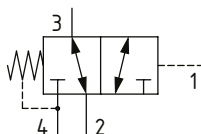
Directional Control Valve, 3-Way, Spool Type, Hydraulic Pilot, Internal Drain

350 bar [5000 psi] • 30 l/min [8 US gpm]

DESCRIPTION AND OPERATION

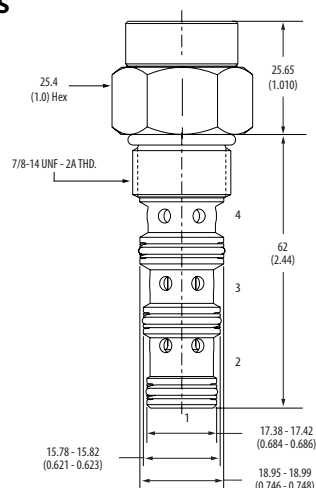
This is a 3-way, spool type, hydraulically piloted directional control valve with an internal drain. In the normal condition, port 2 is connected to port 3 with port 4 blocked. Pilot pressure at port 1 will cause the valve to shift, connecting port 3 to port 4 with port 2 blocked. During the cross-over transition all ports are blocked. Due to the internal hydraulic vent, the pilot pressure required shift the valve is dependent on the pressure in port 4, which would normally be connected to tank.

SCHEMATIC



DIMENSIONS

mm [in]

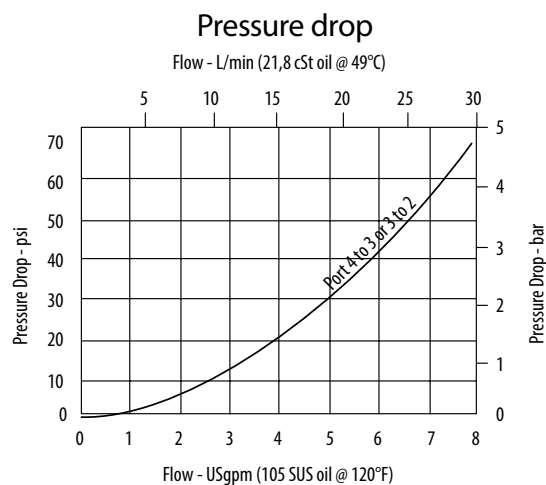


Installation torque
A-47-54 Nm [35-40 ft. lbs]
S-68-75 Nm [50-55 ft. lbs]

PERFORMANCE DATA

Rated pressure	350 bar [5000 psi]
Rated flow	30 l/min [8 US gpm]
Leakage	250 ml/min [15 in ³ /min] @ 350 bar [5000 psi]
Weight	0.14 kg [0.32 lb]
Cavity	SDC10-4

PERFORMANCE CURVES



MODEL CODE

PTS12 - 10 - V - A - 3G - 40

Seal Option

Code	Seal Kit
Omit-Buna-N	889625
V-Viton	566080

Housing Material

Omit-No housing
A-Aluminum
S-Steel

Shift Pressure

Code	Bar	[Psi]
40	2.75	[40]
80	5.5	[80]
120	8.3	[120]

Housing

Code	Ports	Aluminum heavy duty	Steel
0	No housing		
2G	1/4" BSP	02-185804	02-175139
3G	3/8" BSP	02-185805	02-175140
6H	#6 SAE	02-185802	
8H	#8 SAE	02-185803	
6T	#6 SAE		02-175137
8T	#8 SAE		02-175138

* Aluminum bodies are to be used for pressures less than 210 bar [3000 psi].

* Additional housings available