

Directional Control Valves

PTS13-10

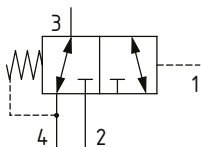
Directional Control Valve, 3-Way, Spool Type, Hydraulic Pilot, Internal Drain

350 bar [5000 psi] • 30 l/min [8 US gpm]

DESCRIPTION AND OPERATION

This is a 3-way, spool type, hydraulically piloted directional control valve with an internal drain. In the normal condition, port 3 is connected to port 4 with port 2 blocked. Pilot pressure at port 1 will cause the valve to shift, connecting port 3 to port 2 with port 4 blocked. During the cross-over transition all ports are blocked. Due to the internal hydraulic vent, the pilot pressure required shift the valve is dependent on the pressure in port 4, which would normally be connected to tank.

SCHEMATIC

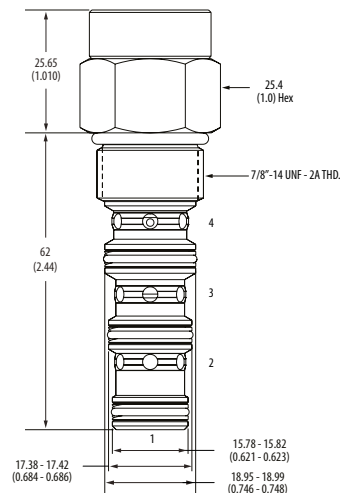


PERFORMANCE DATA

Rated pressure	350 bar [5000 psi]
Rated flow	30 l/min [8 US gpm]
Leakage	210 ml/min [13 in ³ /min] @ 350 bar [5000 psi]
Weight	0.14 kg [0.32 lb]
Cavity	SDC10-4

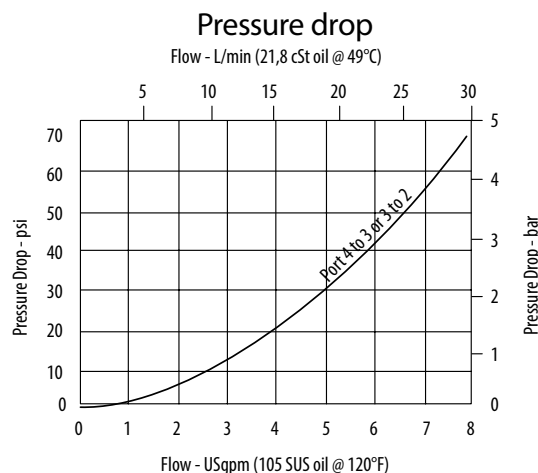
DIMENSIONS

mm [in]



Installation torque
A-47-54 Nm [35-40 ft. lbs]
S-68-75 Nm [50-55 ft. lbs]

PERFORMANCE CURVES



MODEL CODE

PTS13 - 10 - V - A - 3B - 40

Seal Option

Code	Seal Kit
Omit-Buna-N	889625
V-Viton	566080

Housing Material

Omit-No housing
 A-Aluminum
 S-Steel

Shift Pressure

Code	Bar	[Psi]
40	2.75	[40]
80	5.5	[80]
160	11.0	[160]

Housing

Code	Ports	Aluminum Standard duty	Aluminum Heavy duty	Steel
0	No housing			
3B	3/8" BSP	02-179705		
6T	#6 SAE	02-168235		02-175137
8T	#8 SAE			02-175138
2G	1/4" BSP		02-185804	02-175139
3G	3/8" BSP		02-185805	02-175140
6H	#6 SAE		02-185802	
8H	#8 SAE		02-185803	

* Aluminum bodies are to be used for pressures less than 210 bar [3000 psi].
 * Additional housings available