

Flow Control Valves

2CFP60

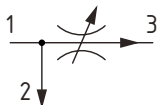
Flow Control, Partially Adjustable, Pressure Compensated, Priority Type

350 bar [5000 psi] • 60 l/min [16 US gpm]

DESCRIPTION AND OPERATION

This is a fully adjustable, priority type, pressure compensated flow control valve, where the flow from port 3 will remain constant regardless of the pressure difference across the valve, while excess flow passes from port 1 to 2. Flow enters at port 1 and passes across an adjustable orifice in the spool, which creates a pressure drop. This causes the spool to move back against the spring, which then restricts the outlet flow. Port 1 then opens to port 2 to allow excess flow to pass. The regulated flow will always take priority and remains constant if the working pressure is higher in either port 2 or port 3.

SCHEMATIC



PERFORMANCE DATA

Rated pressure	350 bar [5000 psi]
Rated flow	60 l/min [16 US gpm]
Flow range	4-60 l/min [1-16 US gpm]
Weight	0.38 kg [0.84 lb]
Cavity	CVA27-04

MODEL CODE

2CFP65 - P - 4W - 4 - S - 377 - 30

Basic Code

2CFP60 - No Housing
2CFP65 - Cartridge and housing

Adjustment Option

P - External
R - Knob

Housing

Code	Ports	Aluminium	Steel
Omit	No Housing		
4W	1/2" BSP	B12631	B13664
8T	1/2" BSP	B10820	B11566

* Aluminum bodies are to be used for pressures less than 210 bar [3000 psi].
* Additional housings available

Flow Range

Code	l/min	US gpm
4	4-40	[1.0-10.5]
Standard Setting	30	[7.9]
6	6-60	[1.6-15.9]
Standard Setting	40	[10.5]

Flow Setting

Code - Flow in l/min
Specify in 1.0 lpm increments within flow range
Example

Code	l/min	[US gpm]
30	30	7.9

Housing Material

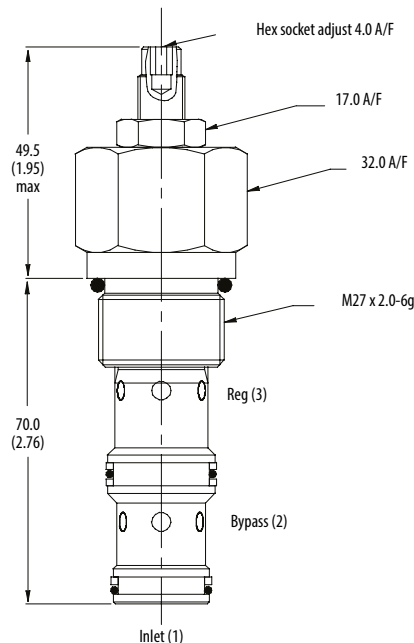
Omit - Aluminum/No housing
377 - Steel

Seal Option

Code	Seal kit
S - Buna-N	SK579
SV - Viton	SK579V

DIMENSIONS

mm [in]



Installation torque
75 Nm [55 ft. lbs]

PERFORMANCE CURVES

Flow Compensation

