

Flow Control Valves

FCV11-12

Needle Valve, Fully Adjustable

350 bar [5000 psi] • 114 l/min [30 US gpm]

DESCRIPTION AND OPERATION

This needle valve is a variable orifice used to create a pressure drop when flow passes from port 1 to 2 or port 2 to 1. Clockwise rotation of the adjustment screw decreases the flow setting until it is completely closed. The setting can be locked by tightening lock nut or knob on the adjustment screw.

SCHEMATIC



PERFORMANCE DATA

Rated pressure	350 bar [5000 psi]
Rated flow	114 l/min [30 US gpm]
Leakage	5 drops/min @ 210 bar [3000 psi]
Weight	0.24 kg [0.54 lb]
Cavity	C-12-2/C-12-2U

MODEL CODE

FCV11 - 12 - V - S - A - 10T - U - NV

Seal Option

Code	Seal Kit
Omit - Buna - N	02-165889
V - Viton	02-165888

Adjustment Option

S - External
K - Knob

Housing Material

Omit - No housing
A - Aluminium
S - Steel

Cavity

Omit - Cavity without undercut
U - Cavity with undercut

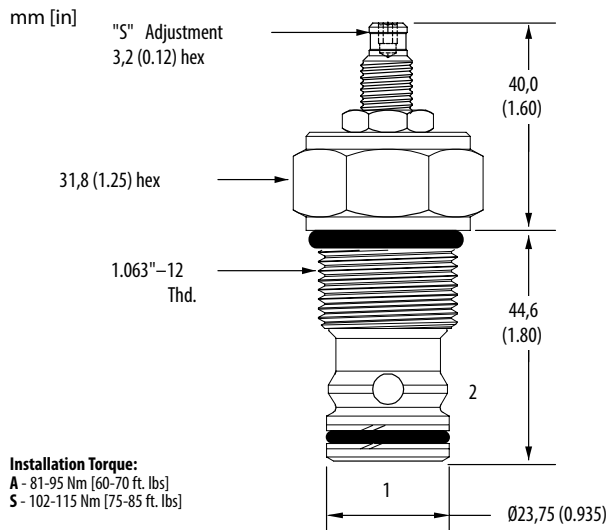
Housing

Code	Ports	C-12-2U Aluminium Heavy duty	C-12-2 Aluminium Heavy duty	C-12-2U Steel Heavy duty	C-12-2 Steel Heavy duty
0	No housing				
10T	#10 SAE	02-160641	02-160640	02-169817	02-169744
12T	#12 SAE	02-160645	02-160644	02-169790	02-169782
4G	1/2" BSP	02-161116	02-161118	02-172512	02-172062
6G	3/4" BSP	02-161115	02-161117	02-162922	02-169665

* Aluminium bodies are to be used for pressures less than 210 bar [3000 psi].

* Additional housings available

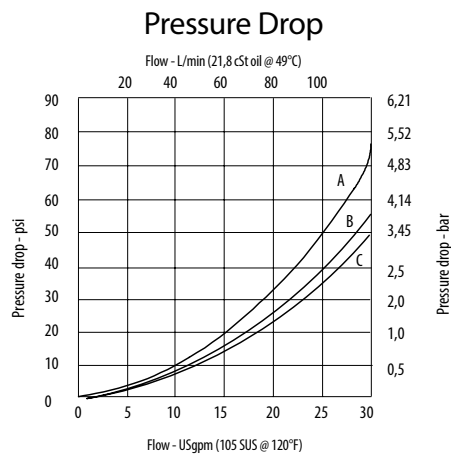
DIMENSIONS



Installation Torque:

A - 81-95 Nm [60-70 ft. lbs]
S - 102-115 Nm [75-85 ft. lbs]

PERFORMANCE CURVES



A - Cartridge with C-12-2 valve body, full open
B - Cartridge with C-12-2U valve body, full open • C - Cartridge only, full open