

Flow Control Valves

FR1-20

Flow Control, Fixed, Pressure Compensated, Restrictive Type

210 bar [3000 psi] • 227 l/min [60 US gpm]

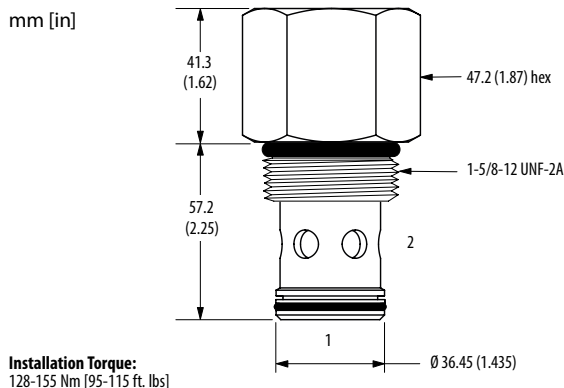
DESCRIPTION AND OPERATION

This is a fixed, restrictive type, pressure compensated flow control valve, where the flow from port 2 will remain constant regardless of the pressure difference across the valve. Flow enters at port 1 and passes across a fixed orifice in the spool, which creates a pressure drop. This causes the spool to move back against the spring, which then restricts the outlet flow.

SCHEMATIC



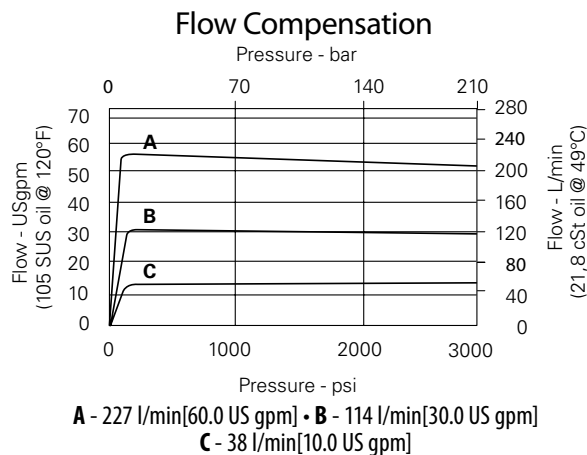
DIMENSIONS



PERFORMANCE DATA

Rated pressure	210 bar [3000 psi]
Rated flow	227 l/min [60 US gpm]
Flow range	3.8-227 l/min [1.0-60 US gpm]
Flow accuracy	3.8-18.5 l/min [1-4.9 US gpm] ±15% 19-227 l/min [5-60 US gpm] ±10%
Weight	0.82 kg [1.8 lb]
Cavity	SDC20-2

PERFORMANCE CURVES



MODEL CODE

FR 1 - 20 - V - F - 0 - 10.0

Seal Option

Code	Seal Kit
Omit-Buna - N	889615
V-Viton	889619

Adjustment Option

F - Fixed

Flow Setting

Code - Flow in US gpm
Specify in 0.1 gpm increments within flow range
Example

Code	l/min	[US gpm]
10.0	38.0	10.0

Housing

Code	Ports	Housing Model Code	
		Aluminum standard duty	Aluminum heavy duty
0	No Housing		
8B	1" BSP	02-175464	-
16T	#16 SAE	566409	-
6G	3/4" BSP	-	876732
8G	1" BSP	-	876734
12H	#12 SAE	-	876733
16H	#16 SAE	-	876735

* Aluminum bodies are to be used for pressures less than 210 bar [3000 psi].

* Additional housings available