

# Flow Control Valves

## FR2-10

Flow Control, Partially Adjustable, Pressure Compensated, Restrictive Type

210 bar [3000 psi] • 38 l/min [10 US gpm]

### DESCRIPTION AND OPERATION

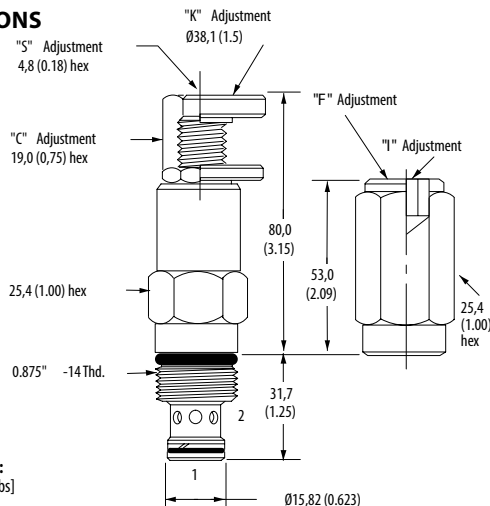
This is a partially adjustable, restrictive type, pressure compensated flow control valve, where the flow from port 2 will remain constant regardless of the pressure difference across the valve. Flow enters at port 1 and passes across a fixed orifice in the spool, which creates a pressure drop. This causes the spool to move back against the spring, which then restricts the outlet flow.

### SCHEMATIC



### DIMENSIONS

mm [in]

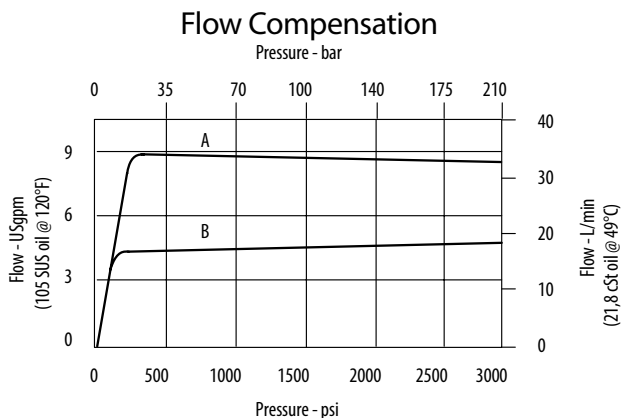


Installation Torque:  
47-54 Nm [35-40 ft. lbs]

### PERFORMANCE DATA

Rated pressure	210 bar [3000 psi]
Rated flow	38 l/min [10 US gpm]
Flow range	0.4-38 l/min [0.1-10 US gpm]
Flow accuracy	0.4-1.9 l/min [0.1-0.49 US gpm] ±20% 1.9-7.5 l/min [0.5-1.99 US gpm] ±15% 7.6-37.8 l/min [2.0-10 US gpm] ±10%
Weight	0.22 kg [0.48 lb]
Cavity	SDC10-2

### PERFORMANCE CURVES



A - 38.0 l/min [10.0 US gpm] • B - 19.0 l/min [5.0 US gpm]

### MODEL CODE

FR 2 - 10 - V - C - 0 - 5.0

#### Seal Option

Code	Seal Kit
Omit-Buna - N	565803
V-Viton	566086

#### Adjustment Option

- C - Tamper Resistant
- F - Fixed
- I - Internal
- K - Knob
- S - External

#### Flow Setting

Code - Flow in US gpm  
Specify in 0.1 gpm increments within flow range  
Example

Code	l/min	[US gpm]
5.0	18.9	5.0

#### Housing

Code	Ports	Aluminium Standard duty	Aluminium Heavy duty
0	No housing		
3B	3/8" BSP	02-175462	-
6T	#6 SAE	566151	-
2G	1/4" BSP	-	876702
3G	3/8" BSP	-	876703
6H	#6 SAE	-	876700
8H	#8 SAE	-	876701

\* Aluminum bodies are to be used for pressures less than 210 bar [3000 psi].  
\* Additional housings available