

Flow Control Valves

FR2-16

Flow Control, Partially Adjustable, Pressure Compensated, Restrictive Type

210 bar [3000 psi] • 114 l/min [30 US gpm]

DESCRIPTION AND OPERATION

This is a partially adjustable, restrictive type, pressure compensated flow control valve, where the flow from port 2 will remain constant regardless of the pressure difference across the valve. Flow enters at port 1 and passes across a fixed orifice in the spool, which creates a pressure drop. This causes the spool to move back against the spring, which then restricts the outlet flow.

SCHEMATIC



PERFORMANCE DATA

Rated pressure	210 bar [3000 psi]
Rated flow	114 l/min [30 US gpm]
Flow range	1.9-114 l/min [0.5-30 US gpm]
Flow accuracy	1.9-10.9 l/min [0.5-2.9 US gpm] ±15% 11.4-114 l/min [3-30 US gpm] ±10%
Weight	0.71 kg [1.57 lb]
Cavity	SDC16-2

MODEL CODE

FR 2 - 16 - V - C - 0 - 10.0

Seal Option

Code	Seal Kit
Omit	Buna - N 565810
V	Viton 889609

Adjustment Option

C - Tamper Resistant
K - Knob
S - External
Y - Knob [Stainless]

Flow Setting

Code - Flow in US gpm
Specify in 0.1 gpm increments within flow range
Example

Code	l/min	[US gpm]
10.0	38.0	10.0

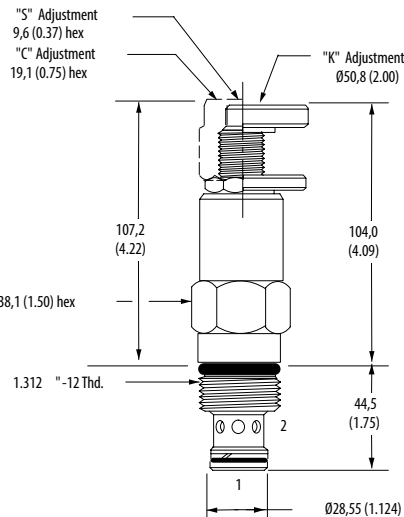
Housing

Code	Ports	Aluminium Standard duty	Aluminium Heavy duty
0	No housing		
6B	3/4" BSP	02-175463	-
12T	#12 SAE	566149	-
4G	1/2" BSP	-	876716
6G	3/4" BSP	-	876718
10H	#10 SAE	-	876717
12H	#12 SAE	-	876713

* Aluminium bodies are to be used for pressures less than 210 bar [3000 psi].
* Additional housings available

DIMENSIONS

mm [in]



Installation torque
108-122 Nm [80-90 ft lbs]

PERFORMANCE CURVES

