

Flow Control Valves

FR1-16

Flow Control, Fixed, Pressure Compensated, Restrictive Type

210 bar [3000 psi] • 114 l/min [30 US gpm]

DESCRIPTION AND OPERATION

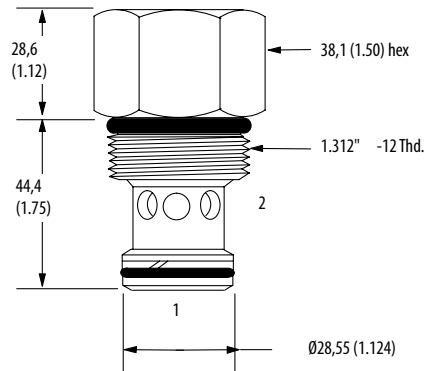
This is a fixed, restrictive type, pressure compensated flow control valve, where the flow from port 2 will remain constant regardless of the pressure difference across the valve. Flow enters at port 1 and passes across a fixed orifice in the spool, which creates a pressure drop. This causes the spool to move back against the spring, which then restricts the outlet flow.

SCHEMATIC



DIMENSIONS

mm [in]

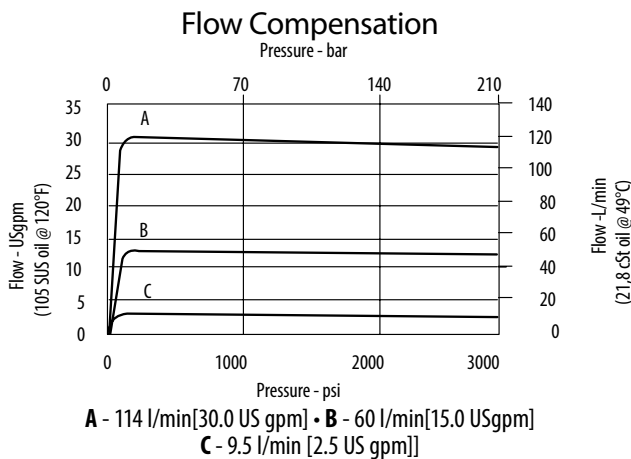


Installation Torque:
108-122 Nm [80-90 ft. lbs]

PERFORMANCE DATA

Rated pressure	210 bar [3000 psi]
Rated flow	114 l/min [30 US gpm]
Flow range	1.9-114 l/min [0.5-30 US gpm]
Flow accuracy	1.9-10.9 l/min [0.5-2.9 US gpm] ±15% 11.4-114 l/min [3-30 US gpm] ±10%
Weight	0.33 kg [0.72 lb]
Cavity	SDC16-2

PERFORMANCE CURVES



MODEL CODE

FR 1 - 16 - V - F - 0 - 15.0

Seal Option

Code	Seal Kit
Omit-Buna - N	565810
V-Viton	880609

Adjustment Option

F - Fixed

Flow Setting

Code - Flow in US gpm
Specify in 0.1 gpm increments within flow range
Example

Code	l/min	[US gpm]
15.0	57.0	15.0

Housing

Code	Ports	Aluminium Standard duty	Aluminium Heavy duty
0	No housing		
6B	3/4" BSP	02-175463	-
12T	#12 SAE	566149	-
4G	1/2" BSP	-	876716
6G	3/4" BSP	-	876718
10H	#10 SAE	-	876717
12H	#12 SAE	-	566113

* Aluminum bodies are to be used for pressures less than 210 bar [3000 psi].

* Additional housings available