

Flow Control Valves

FR5-10

Flow Control, Fixed, Pressure Compensated, Restrictive Type

350 bar [5000 psi] • 23 l/min [6 US gpm]

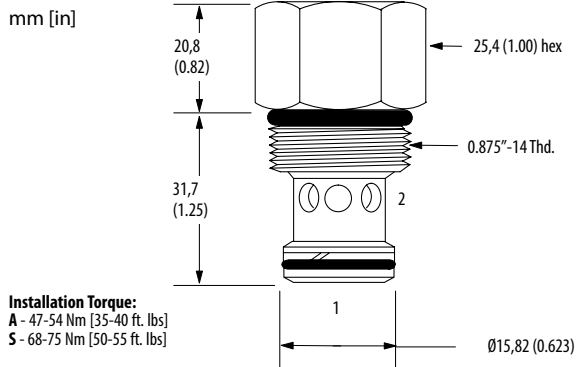
DESCRIPTION AND OPERATION

This is a fixed, restrictive type, pressure compensated flow control valve, where the flow from port 2 will remain constant regardless of the pressure difference across the valve. Flow enters at port 1 and passes across a fixed orifice in the spool, which creates a pressure drop. This causes the spool to move back against the spring, which then restricts the outlet flow.

SCHEMATIC



DIMENSIONS

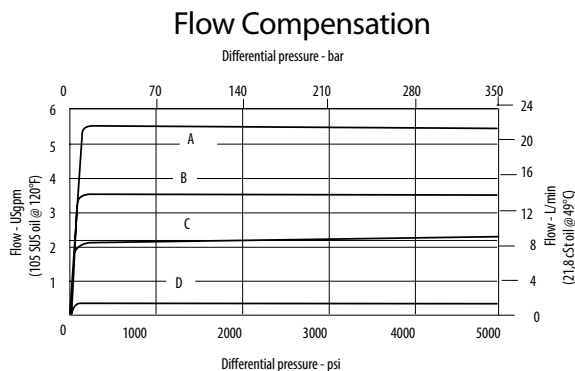


Installation Torque:
 A - 47-54 Nm [35-40 ft. lbs]
 S - 68-75 Nm [50-55 ft. lbs]

PERFORMANCE DATA

| | |
|----------------|---|
| Rated pressure | 350 bar [5000 psi] |
| Rated flow | 23 l/min [6 US gpm] |
| Flow Range | 0.4-23 l/min [0.1-6 US gpm] |
| Flow Accuracy | 0.4-1.9 l/min [0.1-0.49 US gpm] ±20% @ 210 bar [3000 psi] |
| | 0.4-1.9 l/min [0.1-0.49 US gpm] ±40% @ 350 bar [5000 psi] |
| | 1.9-5.7 l/min [0.5-1.49 US gpm] ±15% @ 350 bar [5000 psi] |
| | 5.7-22.7 l/min [1.5-6 US gpm] ±10% @ 350 bar [5000 psi] |
| Weight | 0.12 kg [0.26 lb] |
| Cavity | SDC10-2 |

PERFORMANCE CURVES



A - 21 l/min (5.5 US gpm) • B - 13.3 l/min (3.5 US gpm)
 C - 7.8 l/min (2.0 US gpm) • D - 0.95 l/min (0.25 US gpm)

MODEL CODE

FR5 - 10 - V - F - A - 3B - 1.0

Seal Option

| Code | Seal Kit |
|---------------|----------|
| Omit-Buna - N | 565803 |
| V-Viton | 566086 |

Adjustment Option

F - Fixed

Housing Material

Omit - No housing
 A - Aluminium
 S - Steel

Flow Setting

Code - Flow in US gpm
 Specify in 0.1 gpm increments within flow range
 Example

| Code | l/min | [US gpm] |
|------|-------|----------|
| 1.0 | 4.0 | 1.0 |

Housing

| Code | Ports | Aluminium Standard duty | Aluminium Heavy duty | Steel Heavy duty |
|------|------------|-------------------------|----------------------|------------------|
| 0 | No housing | | | |
| 3B | 3/8" BSP | 02-175462 | | |
| 2G | 1/4" BSP | | 876702 | 02-175102 |
| 3G | 3/8" BSP | | 876703 | 02-175103 |
| 6H | #6 SAE | | 876700 | |
| 8H | #8 SAE | | 876701 | |
| 6T | #6 SAE | 566151 | | 02-175100 |
| 8T | #8 SAE | | | 02-175101 |

* Aluminum bodies are to be used for pressures less than 210 bar [3000 psi].

* Additional housings available