

# Flow Control Valves

## NV1-8

Needle Valve, Fully Adjustable

350 bar [5000 psi] • 11 l/min [3 US gpm]

### DESCRIPTION AND OPERATION

This needle valve is a variable orifice used to create a pressure drop when flow passes from port 1 to 2 or port 2 to 1. Clockwise rotation of the adjustment screw decreases the flow setting until it is completely closed. The setting can be locked by tightening lock nut or knob on the adjustment screw.

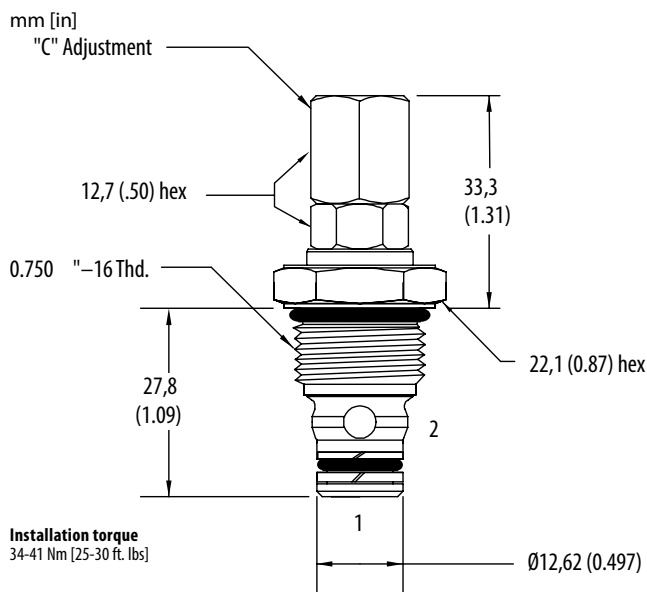
### SCHEMATIC



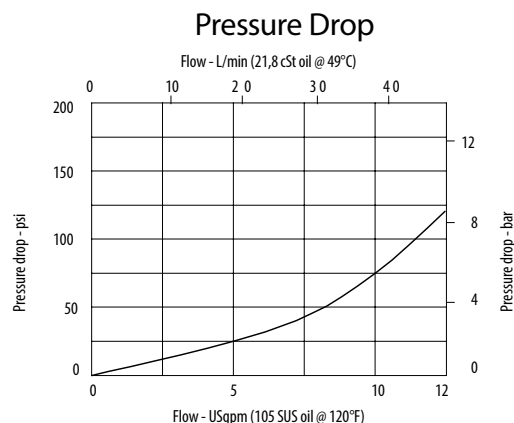
### PERFORMANCE DATA

<b>Rated pressure</b>	<b>350 bar [5000 psi]</b>
<b>Rated flow</b>	<b>11 l/min [3 US gpm]</b>
<b>Leakage</b>	5 drops/min @ 350 bar [5000 psi]
<b>Weight</b>	0.07 kg [0.15 lb]
<b>Cavity</b>	SDC08-2

### DIMENSIONS



### PERFORMANCE CURVES



### MODEL CODE

**NV1 - 8 - V - S - S - 4T**

#### Seal Option

Code	Seal Kit
Omit - Buna - N	02-165875
V - Viton	02-165877

#### Adjustment Option

S - External  
C - Tamper Resistant  
K - Knob

#### Housing Material

Omit - No housing  
S - Steel  
A - Aluminium

#### Housing

Code	Ports	Aluminium Heavy duty	Aluminium Heavy duty
0	No housing		
4T	#4 SAE	02-160730	02-160736
6T	#6 SAE	02-160731	02-160737
8T	#8 SAE	02-160732	02-160738
2G	1/4" BSP	02-160727	02-160733
3G	3/8" BSP	02-160728	02-160734

\* Aluminium bodies are to be used for pressures less than 210 bar [3000 psi].  
\* Additional housings available