

Flow Control Valves

PFR2-16

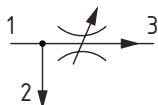
Flow Control, Partially Adjustable, Pressure Compensated, Priority Type

210 bar [3000 psi] • 114 l/min [30 US gpm]

DESCRIPTION AND OPERATION

This is a partially adjustable, priority type, pressure compensated flow control valve, where the flow from port 3 will remain constant regardless of the pressure difference across the valve, while excess flow passes from port 1 to 2. Flow enters at port 1 and passes across a fixed orifice in the spool, which creates a pressure drop. This causes the spool to move back against the spring, which then restricts the outlet flow. Port 1 then opens to port 2 to allow excess flow to pass. The regulated flow will always take priority and remains constant if the working pressure is higher in either port 2 or port 3.

SCHEMATIC



PERFORMANCE DATA

Rated pressure	210 bar [3000 psi]
Rated flow	114 l/min [30 US gpm]
Max inlet flow	151 l/min [40 US gpm]
Flow range	1.9-114 l/min [0.5-30 US gpm]
Flow accuracy	1.9-10.9 l/min [0.5-2.9 US gpm] ±15% 11.4-114 l/min [3-30 US gpm] ±10%
Weight	0.43 kg [0.95 lb]
Cavity	SDC16-3

MODEL CODE

PFR2 - 16 - V - C - 0 - 30.0

Seal Option

Code	Seal Kit
Omit - Buna - N	565811
V - Viton	889610

Adjustment Option

C - Tamper Resistant
K - Knob
S - External

Flow Setting

Code - Flow in US gpm
Specify in 0.1 gpm increments within flow range
Example

Code	l/min	[US gpm]
30.0	114.0	30.0

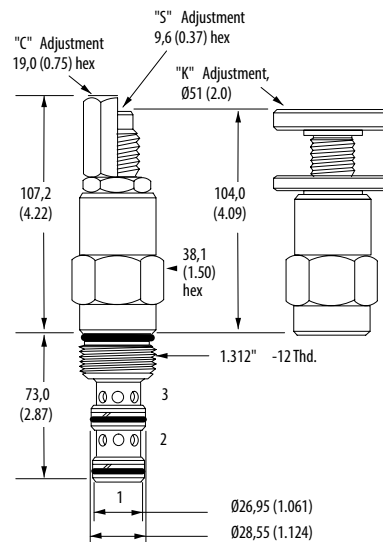
Housing

Code	Ports	Aluminium Standard duty	Aluminium Heavy duty
0	No housing		
12T	#12 SAE	566152	
6B	3/4" BSP	02-175465	
10H	#10 SAE		876721
12H	#12 SAE		876723
4G	1/2" BSP		876720
6G	3/4" BSP		876722

* Aluminum bodies are to be used for pressures less than 210 bar [3000 psi].
* Additional housings available

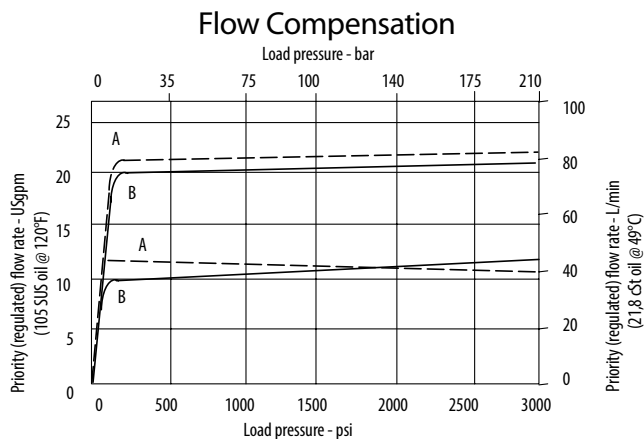
DIMENSIONS

mm [in]



Installation torque
108-122 Nm [80-90 ft. lbs]

PERFORMANCE CURVES



A - Port 3, priority (regulated) outlet pressurized
B - Port 2, bypass outlet pressurized