

# Flow Control Valves

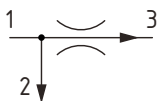
## PFR11-12

Flow Control, Fixed, Pressure Compensated, Priority Type  
**350 bar [5000 psi] • 76 l/min [20 US gpm]**

### DESCRIPTION AND OPERATION

This is a fixed, priority type, pressure compensated flow control valve, where the flow from port 3 will remain constant regardless of the pressure difference across the valve, while excess flow passes from port 1 to 2. Flow enters at port 1 and passes across a fixed orifice in the spool, which creates a pressure drop. This causes the spool to move back against the spring, which then restricts the outlet flow. Port 1 then opens to port 2 to allow excess flow to pass. The regulated flow will always take priority and remains constant if the working pressure is higher in either port 2 or port 3.

### SCHEMATIC



### PERFORMANCE DATA

<b>Rated pressure</b>	<b>350 bar [5000 psi]</b>
<b>Rated flow</b>	<b>76 l/min [20 US gpm]</b>
<b>Max inlet flow</b>	114 l/min [30 US gpm]
<b>Flow range</b>	1.9-76 l/min [0.5-20 US gpm]
<b>Flow accuracy</b>	+/- 15%
<b>Weight</b>	0.25 kg [0.55 lb]
<b>Cavity</b>	C-12-3

### MODEL CODE

**PFR11 - 12 - V - F - A - 4G - 20.0**

#### Seal Option

Code	Seal Kit
Omit - Buna - N	9900171
V - Viton	9900172

#### Adjustment Option

F - Fixed

#### Housing Material

Omit - No housing  
 A - Aluminum  
 S - Steel

#### Flow Setting

Code - Flow in US gpm  
 Specify in 0.1 gpm increments within flow range  
 Example

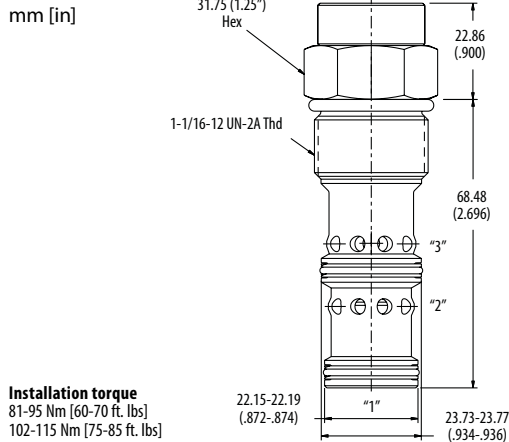
Code	l/min	[US gpm]
20.0	76.0	20.0

#### Housing

Code	Ports	Housing Model Code	
		Aluminium	Steel
0	No housing		
4G	1/2" BSP	02-161817	
6G	3/4" BSP	02-161816	
10H	#10 SAE	02-160642	
12H	#12 SAE	02-160646	
4G	1/2" BSP		02-169815
6G	3/4" BSP		02-169814
10T	#10 SAE		02-161070
12T	#12 SAE		02-169816

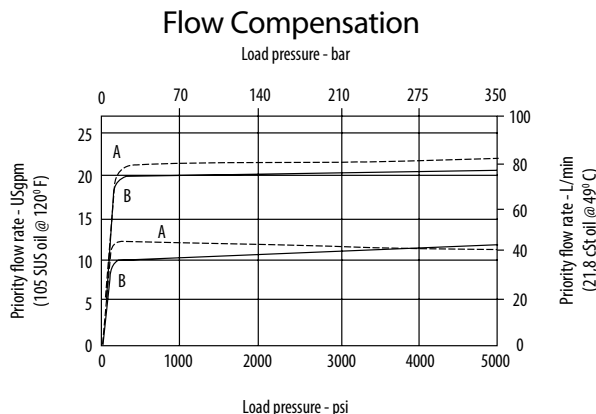
\* Aluminum bodies are to be used for pressures less than 210 bar [3000 psi].  
 \* Additional housings available

### DIMENSIONS



**Installation torque**  
 81-95 Nm [60-70 ft. lbs]  
 102-115 Nm [75-85 ft. lbs]

### PERFORMANCE CURVES



A - Port 3, priority (regulated outlet) pressurized.  
 B - Port 2, (bypass outlet) pressurized.