

Flow Control Valves

PFR12-12

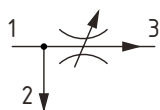
Flow Control, Partially Adjustable, Pressure Compensated, Priority Type

350 bar [5000 psi] • 76 l/min [20 US gpm]

DESCRIPTION AND OPERATION

This is a partially adjustable, priority type, pressure compensated flow control valve, where the flow from port 3 will remain constant regardless of the pressure difference across the valve, while excess flow passes from port 1 to 2. Flow enters at port 1 and passes across a fixed orifice in the spool, which creates a pressure drop. This causes the spool to move back against the spring, which then restricts the outlet flow. Port 1 then opens to port 2 to allow excess flow to pass. The regulated flow will always take priority and remains constant if the working pressure is higher in either port 2 or port 3.

SCHEMATIC



PERFORMANCE DATA

Rated pressure	350 bar [5000 psi]
Rated flow	76 l/min [20 US gpm]
Max inlet flow	114 l/min [30 US gpm]
Flow range	1.9-76 l/min [0.5-20 US gpm]
Flow accuracy	± 15%
Weight	0.32 kg [0.70 lb]
Cavity	C-12-3

MODEL CODE

PFR12 - 12 - V - C - A - 4G - 1.0

Seal Option

Code	Seal Kit
Omit - Buna - N	9900171
V - Viton	9900172

Adjustment Option

C - Tamper Resistant
K - Knob
S - External

Housing Material

Omit - No housing
A - Aluminum
S - Steel

Flow Setting

Code - Flow in US gpm
Specify in 0.1 gpm increments within flow range
Example

Code	l/min	[US gpm]
1.0	4.0	1.0

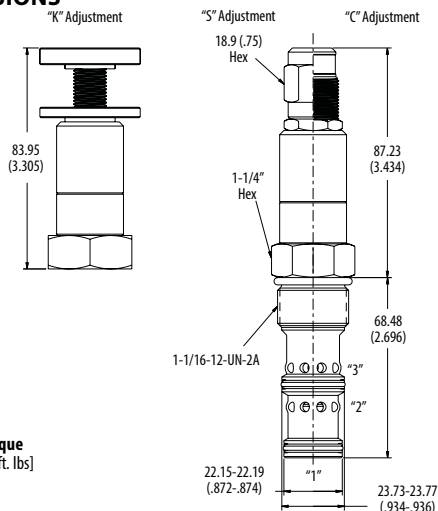
Housing

Code	Ports	Aluminium Heavy duty	Steel
0	No housing		
4G	1/2" BSP	02-161817	
6G	3/4" BSP	02-161816	
10H	#10 SAE	02-160642	
12H	#12 SAE	02-160646	
4G	1/2" BSP		02-169815
6G	3/4" BSP		02-169814
10T	#10 SAE		02-161070
12T	#12 SAE		02-169816

* Aluminum bodies are to be used for pressures less than 210 bar [3000 psi].
* Additional housings available

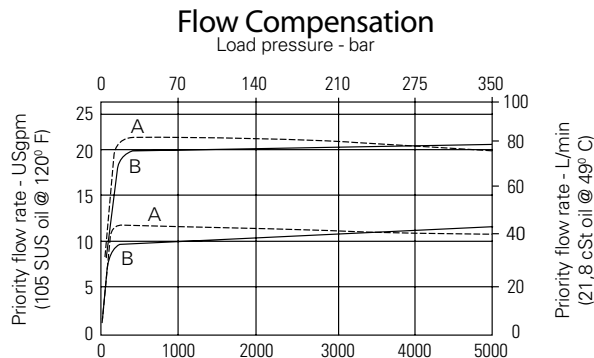
DIMENSIONS

mm [in]



Installation torque
47-54 Nm [35-40 ft. lbs]

PERFORMANCE CURVES



A - Port 3, priority (regulated outlet) pressurized
B - Port 2, (bypass outlet) pressurized.