

# Flow Control Valves

## PFR12-16

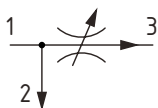
Flow Control, Partially Adjustable, Pressure Compensated, Priority Type

350 bar [5000 psi] • 114 l/min [30 US gpm]

### DESCRIPTION AND OPERATION

This is a partially adjustable, priority type, pressure compensated flow control valve, where the flow from port 3 will remain constant regardless of the pressure difference across the valve, while excess flow passes from port 1 to 2. Flow enters at port 1 and passes across a fixed orifice in the spool, which creates a pressure drop. This causes the spool to move back against the spring, which then restricts the outlet flow. Port 1 then opens to port 2 to allow excess flow to pass. The Flow Setting will always take priority and remains constant if the working pressure is higher in either port 2 or port 3.

### SCHEMATIC



### PERFORMANCE DATA

<b>Rated pressure</b>	<b>350 bar [5000 psi]</b>
<b>Rated flow</b>	<b>114 l/min [30 US gpm]</b>
<b>Max inlet flow</b>	151 l/min [40 US gpm]
<b>Flow range</b>	1.9-114 l/min [0.5-30 US gpm]
<b>Flow accuracy</b>	1.9-10.9 l/min [0.5-2.9 US gpm] ±15% 11.4-114 l/min [3-30 US gpm] ±10%
<b>Weight</b>	0.43 kg [0.95 lb]
<b>Cavity</b>	SDC16-3

### MODEL CODE

**PFR12 - 16 - V - C - A - 10H - 30.0**

#### Seal Option

Code	Seal Kit
Omit-Buna - N	889632
V-Viton	889636

#### Adjustment Option

C - Tamper Resistant  
K - Knob  
S - External

#### Housing Material

Omit - No housing  
A - Aluminum  
S - Steel

#### Flow Setting

Code - Flow in US gpm  
Specify in 0.1 gpm increments within flow range  
Example

Code	l/min	[US gpm]
30.0	114.0	30.0

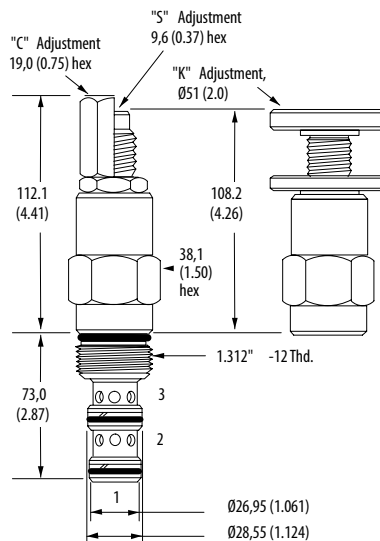
#### Housing

Code	Ports	Aluminium Heavy duty	Steel
0	No housing		
10H	#10 SAE	876721	
12H	#12 SAE	876723	
4G	1/2" BSP	876720	
6G	3/4" BSP	876722	
4G	1/2" BSP		02-175131
6G	3/4" BSP		02-175132
10T	#10 SAE		02-175129
12T	#12 SAE		02-175130

\* Aluminum bodies are to be used for pressures less than 210 bar [3000 psi].  
\* Additional housings available

### DIMENSIONS

mm [in]

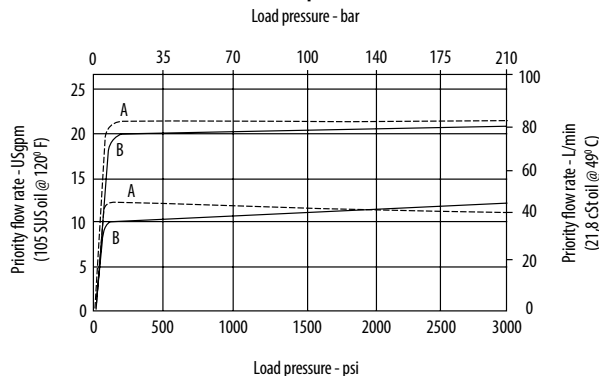


#### Installation torque

A - 108-122 Nm [80-90 ft. lbs]  
S - 136-149,6 Nm [100-110 ft. lbs]

### PERFORMANCE CURVES

#### Flow Compensation



A - Port 3, priority (regulated outlet) pressurized. • B - Port 2, (bypass outlet) pressurized.