

Flow Control Valves

VF11-10

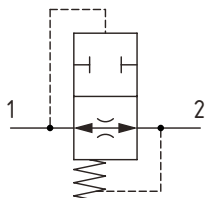
Velocity Fuse

350 bar [5000 psi] • 23 l/min [6 US gpm]

DESCRIPTION AND OPERATION

This is a velocity fuse, which closes when the set flow is exceeded. These valves are often used to prevent a load falling in the event of a total hose failure. The valve is normally open from port 1 to port 2. The valve closes when the pre-set flow is exceeded, and it will remain closed until the pressure at port 1 is reduced to less than 80 psi.

SCHEMATIC

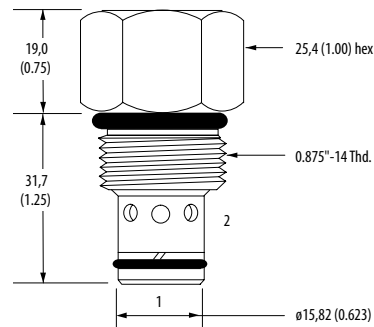


PERFORMANCE DATA

Rated pressure	350 bar [5000 psi]
Rated flow	23 l/min [6 US gpm]
Flow range	1.9–22.7 l/min [0.5–6.0 USgpm]
Weight	0.11 kg [0.25 lb]
Cavity	SDC10-2

DIMENSIONS

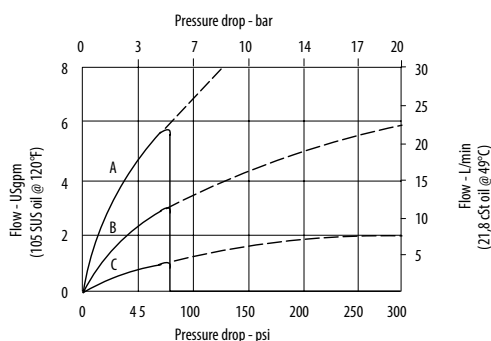
mm [in]



Installation torque
A - 47-54 Nm [35-40 ft. lbs]
S - 68-75 Nm [50-55 ft. lbs]

PERFORMANCE CURVES

Pressure Drop



A - 22.8 l/min (6 US gpm) maximum flow setting
 — Port 1 to 2, fusing direction
 --- Port 2 to 1, reverse flow down to 0

B - 14.44 l/min (3 US gpm) maximum flow setting
 — Port 1 to 2, fusing direction
 --- Port 2 to 1, reverse flow down to 0

C - 3.8 l/min (1 US gpm) maximum flow setting
 — Port 1 to 2, fusing direction
 --- Port 2 to 1, reverse flow down to 0

MODEL CODE

VF11 - 10 - N - F - A - 3B - 6.0

Seal Option

Code	Seal Kit
Omit - Buna-N	656803
V-Viton	566086

Adjustment Option

F - Fixed

Housing Material

Omit - No housing
 A - Aluminum
 S - Steel

Flow Setting

Code - Flow in US gpm
 Specify in 0.1 gpm increments within flow range
 Example

Code	l/min	[US gpm]
6.0	23.0	6.0

Housing

Code	Ports	Aluminium Standard duty	Aluminium Heavy duty	Steel
0	No housing			
3B	3/8" BSP	02-175462	-	-
6T	#6 SAE	566151	-	-
2G	1/4" BSP	-	876702	-
3G	3/8" BSP	-	876703	-
6H	#6 SAE	-	876700	-
8H	#8 SAE	-	876701	-
6T	#6 SAE	-	-	02-175100
8T	#8 SAE	-	-	02-175101
2G	1/4" BSP	-	-	02-175102
3G	3/8" BSP	-	-	02-175103

* Aluminum bodies are to be used for pressures less than 210 bar [3000 psi].
 * Additional housings available