

Flow Control Valves

CP300-6

Flow Control, Fixed, Pressure Compensated, Restrictive Type, Bi-directional

210 bar [3000 psi] • 23 l/min [6 US gpm]

DESCRIPTION AND OPERATION

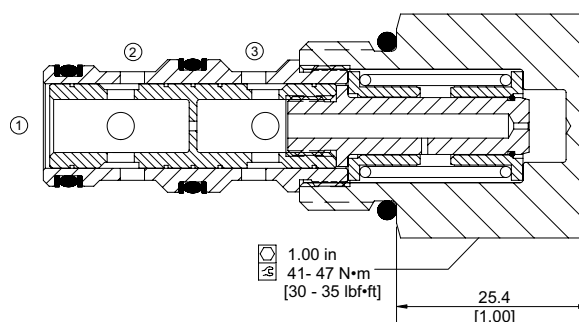
This is a fixed, restrictive type, bi-directional pressure compensated flow control valve, where the outlet flow will remain constant regardless of the direction of flow. Flow enters at port 2 or port 3 and passes across a fixed orifice in the spool creating a pressure drop. This causes the spool to move back against a spring, which then restricts the outlet flow at port 3 or port 2 respectively. Port 1 must be blocked for proper operation.

SCHEMATIC



DIMENSIONS

mm [in]

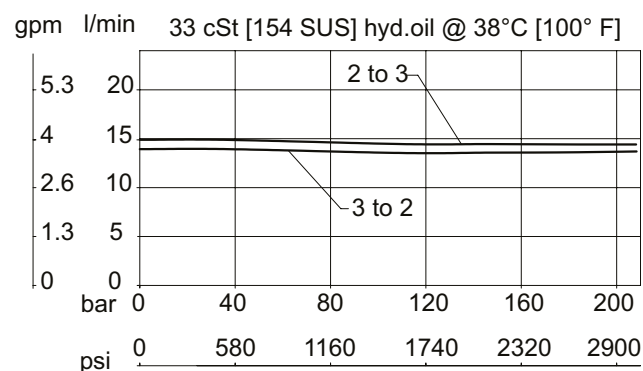


PERFORMANCE DATA

Rated pressure	210 bar [3000 psi]
Rated flow	23 l/min [6 US gpm]
Flow range	0.4-23 l/min [0.1-6 US gpm]
Flow accuracy	0.4-1.88 l/min [0.1-0.49 US gpm] ± 20% 1.89-23 l/min [0.49-6.0 US gpm] ± 15%
Weight	0.13 kg [0.29 lb]
Cavity	SDC10-3

PERFORMANCE CURVES

Flow Compensation



MODEL CODE

CP300 - 6 - B - 8S - 2.5

Seal Option

Code	Seal Kit
B -Buna-N	120009
V -Viton	120010

Housing

Code	Ports&Material	Housing Model Code
0	No Housing	No Housing
SE3B	AL, 3/8 BSP	SDC10-3-SE-3B
SE4B	AL, 1/2 BSP	SDC10-3-SE-4B
6S	AL, #6 SAE	CP10-3-6S
8S	AL, #8 SAE	CP10-3-8S

* Aluminum bodies are to be used for pressures less than 210 bar [3000 psi].
* Additional housings available

Flow Setting

Code - Flow in US gpm
Specify in 0.1 gpm increments within flow range
Example

Code	l/min	[US gpm]
2.5	9.5	[2.5]