

Flow Control Valves

CP301-1

Flow Control, Fixed, Pressure Compensated, Restrictive Type

210 bar [3000 psi] • 57 l/min [15 US gpm]

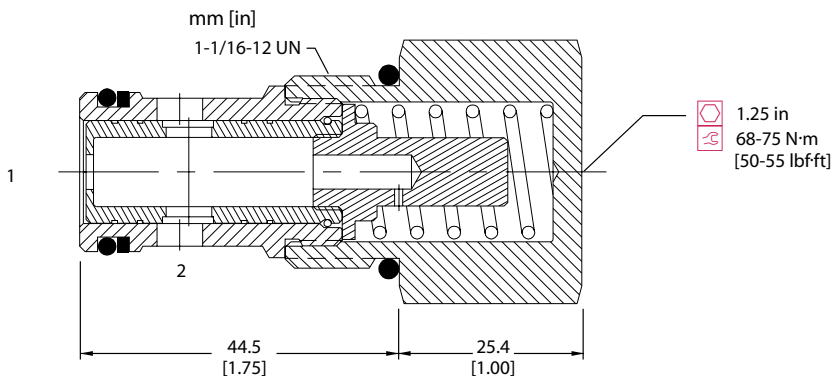
DESCRIPTION AND OPERATION

This is a fixed, restrictive type, pressure compensated flow control valve, where the flow from port 2 will remain constant regardless of the pressure difference across the valve. Flow enters at port 1 and passes across a fixed orifice in the spool, which creates a pressure drop. This causes the spool to move back against the spring, which then restricts the outlet flow.

SCHEMATIC



DIMENSIONS

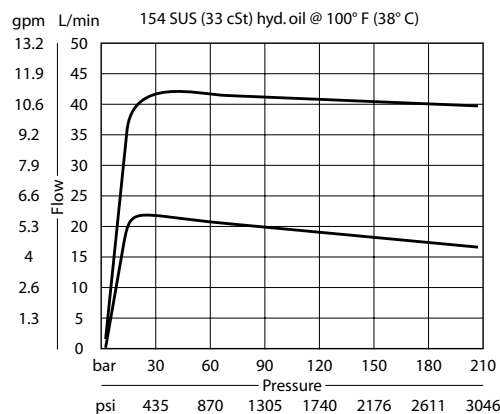


PERFORMANCE DATA

Rated pressure	210 bar [3000 psi]
Rated flow	57 l/min [15 US gpm]
Flow range	1.9-56.8 l/min [0.5-15 US gpm]
Flow Accuracy	1.9-7.5 l/min [0.5-1.99 US gpm] ± 20% 7.6-56.8 l/min [2-15 US gpm] ± 15%
Weight	0.24 kg [0.52 lb]
Cavity	CP12-2

PERFORMANCE CURVES

Flow Compensation



MODEL CODE

CP301 - 1 - B - 12S - 10.0

Seal Option

Code	Seal Kit
B-Buna - N	120017
V-Viton	120018

Flow Setting

Code - Flow in US gpm
Specify in 0.1 gpm increments within flow range
Example

Code	l/min	[US gpm]
10.0	38.0	10.0

Housing

Code	Ports & Material	Housing Model Code
0	No Housing	No Housing
4B	AL, 1/2 BSP	CP-12-2-4B
6B	AL, 3/4 BSP	CP-12-2-6B
10S	AL, #10 SAE	CP-12-2-10S
12S	AL, #12 SAE	CP-12-2-12S

* Aluminum bodies are to be used for pressures less than 210 bar [3000 psi].

* Additional housings available