

Flow Control Valves

CP330-3

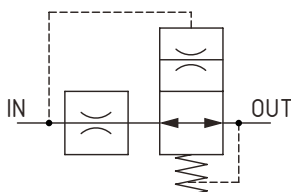
Velocity Fuse, In-line

210 bar [3000 psi] • 110 l/min [29 US gpm]

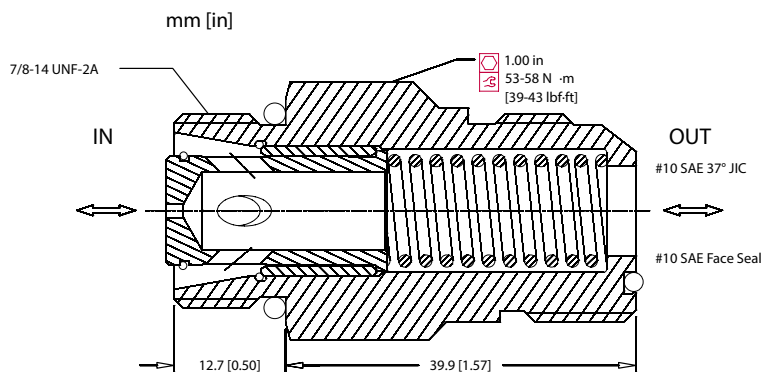
DESCRIPTION AND OPERATION

This is an in-line velocity fuse, which closes when the set flow is exceeded. These valves are often used to prevent a load falling in the event of a total hose failure. The valve closes when the pre-set flow is exceeded and then provides non-compensated, restrictive flow. It provides reverse free flow when operated in the opposite direction.

SCHEMATIC



DIMENSIONS

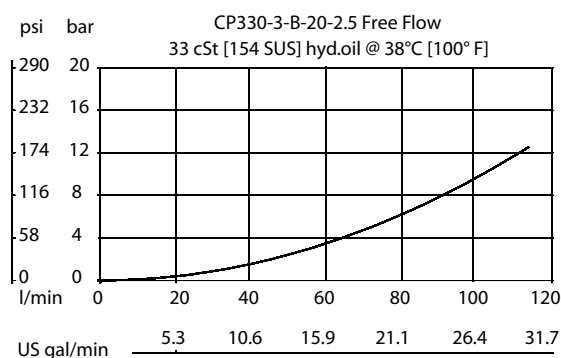


PERFORMANCE DATA

Rated pressure	210 bar [3000 psi]
Rated flow	110 l/min [29 US gpm]
Weight	0.12 kg [0.26 lb]
Cavity	#10 SAE Port

PERFORMANCE CURVES

Pressure Drop



MODEL CODE

CP330 - 3 - B - FS10 - 17 - 2.5

Seal Option

Code
B-Buna-N
V-Viton

Fitting Type

Omit- # 10 SAE 37° JIC
FS10- #10 SAE face seal

Bypass Flow @ 48 bar [700 psi]

Code	l/min	[US gpm]
2.5	9.5	2.5

Flow Setting

Code	l/min	[US gpm]
17	64.4	17
20	75.7	20
23	87.1	23
26	98.4	26
29	109.8	29