

Flow Control Valves

CP610-7

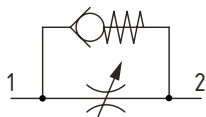
Needle Valve, Fully Adjustable, Fine Metering with Reverse Free Flow

350 bar [5000 psi] • 55 l/min [14 US gpm]

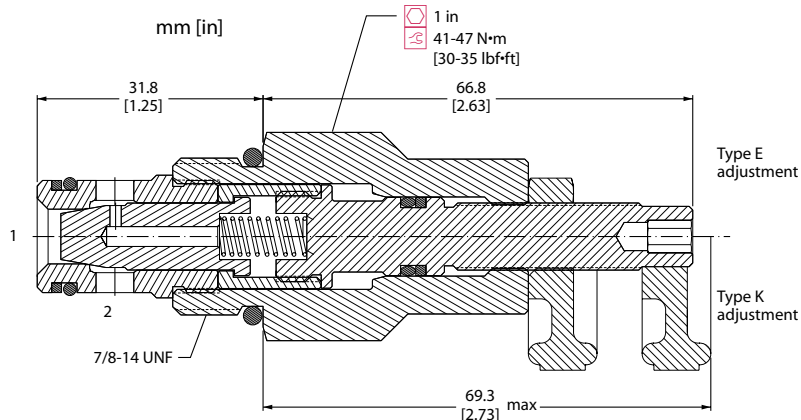
DESCRIPTION AND OPERATION

This is a needle valve with a reverse free flow check. It is a variable orifice used to create a pressure drop when flow passes from port 2 to 1, while allowing free flow when flow passes from 1 to 2. Clockwise rotation of the adjustment screw decreases the flow setting until it is completely closed. The setting can be locked by tightening lock nut or knob on the adjustment screw.

SCHEMATIC



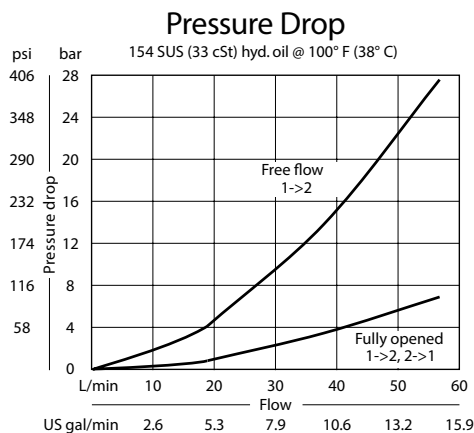
DIMENSIONS



PERFORMANCE DATA

Rated pressure	350 bar [5000 psi]
Rated flow	55 l/min [14 US gpm]
Weight	0.18 kg [0.40 lb]
Cavity	SDC10-2

PERFORMANCE CURVES



MODEL CODE

CP610 - 7 - B - 8S - K

Seal Option

Code	Seal Kit
B-Buna - N	120015
V-Viton	120016

Adjustment Option

E - External
K - Knob

Housing

Code	Ports&Material	Housing Model Code
0	No Housing	No Housing
DG3B	AL, 3/8 BSP	SDC10-2-DG-3B
DG4B	AL, 1/2 BSP	SDC10-2-DG-4B
65	AL, #6 SAE	CP10-2-65
8S	AL, #8 SAE	CP10-2-8S

* Aluminum bodies are to be used for pressures less than 210 bar [3000 psi].
* Additional housings available