

Flow Control Valves

CP613-1

Needle Valve, Fully Adjustable

210 bar [3000 psi] • 380 l/min [100 US gpm]

DESCRIPTION AND OPERATION

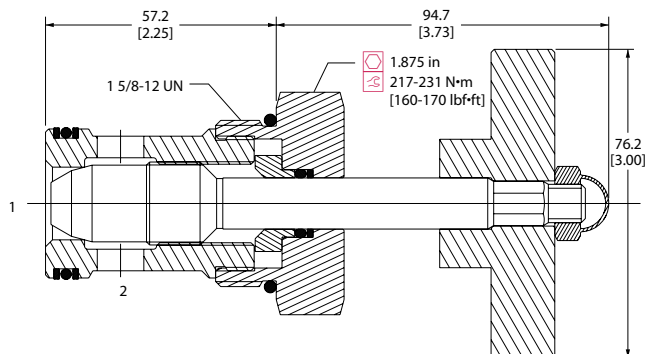
This needle valve is a variable orifice used to create a pressure drop when flow passes from port 1 to 2 or port 2 to 1. Clockwise rotation of the adjustment screw decreases the flow setting until it is completely closed.

SCHEMATIC



DIMENSIONS

mm [in]

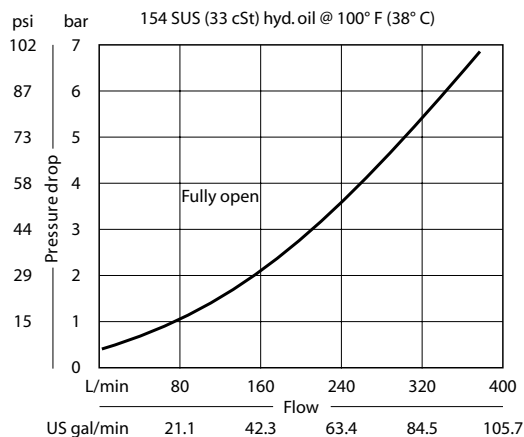


PERFORMANCE DATA

| | |
|----------------|------------------------------|
| Rated pressure | 210 bar [3000 psi] |
| Rated flow | 380 l/min [100 US gpm] |
| Leakage | 6 drops/min @ Rated pressure |
| Weight | 0.85 kg [1.87 lb] |
| Cavity | SDC20-2 |

PERFORMANCE CURVES

Pressure Drop



MODEL CODE

CP613 - 1 - B - 16S

Seal Option

| Code | Seal Kit |
|------------|----------|
| B-Buna - N | 120172 |
| V-Viton | 120173 |

Housing

| Code | Ports & Material | Housing Model Code |
|------|------------------|--------------------|
| 0 | No Housing | No Housing |
| 8B | AL, 1 BSP | CP20-2-8B |
| 10B | AL, 1-1/4 BSP | CP20-2-10B |
| 16S | AL, #16 SAE | CP20-2-16S |
| 20S | AL, #20 SAE | CP20-2-20S |

* Aluminum bodies are to be used for pressures less than 210 bar [3000 psi].

* Additional housings available