

# Flow Control Valves

## CP618-6

Needle valve, Fully Adjustable, Fine Metering

310 bar [4500 psi] • 11 l/min [3 US gpm]

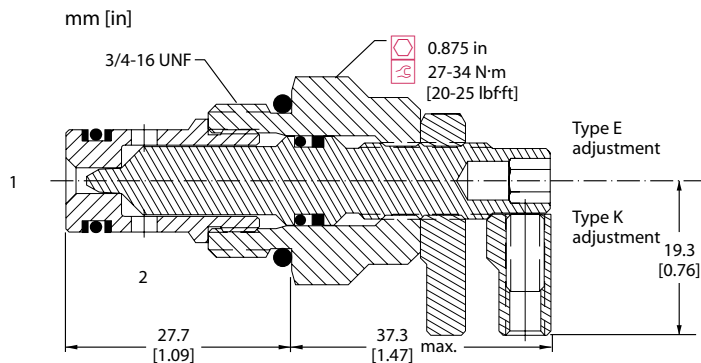
### DESCRIPTION AND OPERATION

This needle valve with fine metering is a variable orifice used to create a pressure drop when flow passes from port 1 to 2 or port 2 to 1. Clockwise rotation of the adjustment screw decreases the flow setting until it is completely closed. The setting can be locked by tightening lock nut or knob on the adjustment screw.

### SCHEMATIC



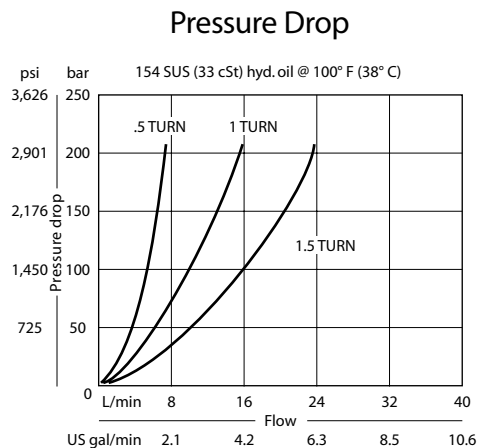
### DIMENSIONS



### PERFORMANCE DATA

<b>Rated pressure</b>	<b>310 bar [4500 psi]</b>
<b>Rated flow</b>	<b>11 l/min [3 US gpm]</b>
<b>Leakage</b>	6 drops/min @ Rated pressure
<b>Weight</b>	0.12 kg [0.26 lb]
<b>Cavity</b>	SDC08-2

### PERFORMANCE CURVES



### MODEL CODE

**CP618 - 6 - B - 6S - K**

#### Seal Option

Code	Seal Kit
<b>B</b> -Buna - N	120227
<b>V</b> -Viton	120228

#### Adjustment Option

E - External  
K - Knob

#### Housing

Code	Ports	Housing Model Code
<b>0</b>	No Housing	No Housing
<b>DG2B</b>	AL, 1/4 BSP	SDC08-2-DG-2B
<b>DG3B</b>	AL, 3/8 BSP	SDC08-2-DG-3B
<b>4S</b>	AL, #4 SAE	CP08-2-4S
<b>6S</b>	AL, #6 SAE	CP08-2-6S

\* Aluminum bodies are to be used for pressures less than 210 bar [3000 psi].

\* Additional housings available