

Flow Control Valves

FCH10-BD

Flow Control, Fixed, Pressure Compensated, Restrictive Type, Bi-directional

350 bar [5000 psi] • 23 l/min [6 US gpm]

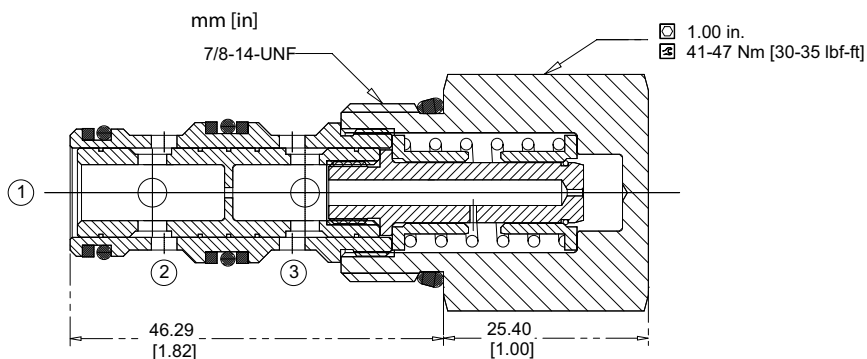
DESCRIPTION AND OPERATION

This is a fixed, restrictive type, bi-directional pressure compensated flow control valve, where the outlet flow will remain constant regardless of the direction of flow. Flow enters at port 2 or port 3 and passes across a fixed orifice in the spool creating a pressure drop. This causes the spool to move back against a spring, which then restricts the outlet flow at port 3 or port 2 respectively. Port 1 must be blocked for proper operation.

SCHEMATIC



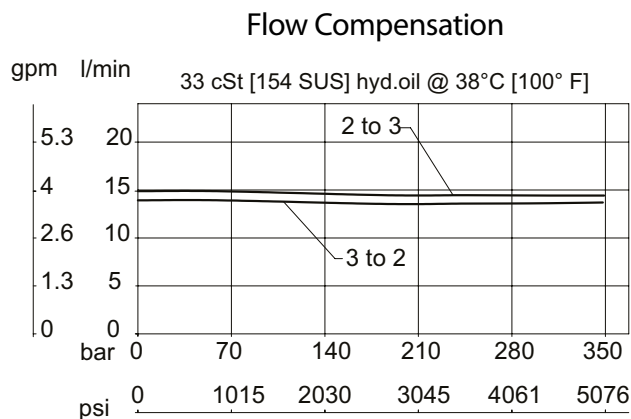
DIMENSIONS



PERFORMANCE DATA

Rated pressure	350 bar [5000 psi]
Rated flow	23 l/min [6 US gpm]
Flow range	0.4-22.7 l/min [0.1-6 US gpm]
Flow accuracy	0.4-1.88 l/min [0.1-0.49 US gpm] ± 20% 1.89-23 l/min [0.49-6 US gpm] ± 15%
Weight	0.14 kg [0.34 lb]
Cavity	SDC10-3

PERFORMANCE CURVES



MODEL CODE

FCH10 - BD - 0.4 - U - 00

Flow Setting

Code - Flow in l/min
Specify in 1.0 lpm increments within flow range
Example

Code	l/min	[US gpm]
0.4	0.4	[0.1]

Seal Option

Code	Seal Kit
U-Urethane	120726

Housing

Code	Ports&Material	Housing Model Code
00	No Housing	No Housing
DG-3B	AL, 3/8 BSP	SDC10-3-DG-3B
DG-4B	AL, 1/2 BSP	SDC10-3-DG-4B
6S	AL, #6 SAE	CP10-3-6S
8S	AL, #8 SAE	CP10-3-8S

* Aluminum bodies are to be used for pressures less than 210 bar [3000 psi].
* Additional housings available