

Flow Control Valves

FCV6-16

Needle Valve, Fully Adjustable

210 bar [3000 psi] • 208 l/min [55 US gpm]

DESCRIPTION AND OPERATION

This needle valve is a variable orifice used to create a pressure drop when flow passes from port 1 to 2 or port 2 to 1. Clockwise rotation of the adjustment screw decreases the flow setting until it is completely closed. The setting can be locked by tightening lock nut or knob on the adjustment screw.

SCHEMATIC



PERFORMANCE DATA

Rated pressure	210 bar [3000 psi]
Rated flow	208 l/min [55 US gpm]
Leakage	Port 2 to 1: 5 drops/min @ 210 bar [3000 psi]
Weight	0.37 kg [0.81 lb]
Cavity	SDC16-2

MODEL CODE

FCV6 - 16 - V - C - 0 - NV

Seal Option

Code	Seal Kit
Omit-Buna - N	889631
V-Viton	889635

Adjustment Option

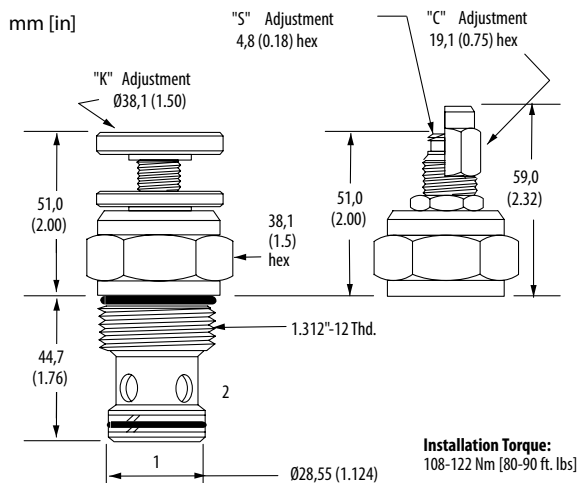
C - Tamper Resistant
K - Knob
S - External

Housing

Code	Ports	Aluminium Standard duty	Aluminium Heavy duty
0	No housing		
6B	3/4" BSP	02-175463	-
12T	#12 SAE	566149	-
4G	1/2" BSP	-	876716
6G	3/4" BSP	-	876718
10H	#10 SAE	-	876717
12H	#12 SAE	-	566113

* Aluminum bodies are to be used for pressures less than 210 bar [3000 psi].
* Additional housings available

DIMENSIONS



PERFORMANCE CURVES

