

Flow Control Valves

FCV7-10-NV

Needle Valve, Fully Adjustable

210 bar [3000 psi] • 45 l/min [12 US gpm]

DESCRIPTION AND OPERATION

This needle valve is a variable orifice used to create a pressure drop when flow passes from port 1 to 2 or port 2 to 1. Clockwise rotation of the adjustment screw decreases the flow setting until it is completely closed. The setting can be locked by tightening lock nut or knob on the adjustment screw.

SCHEMATIC

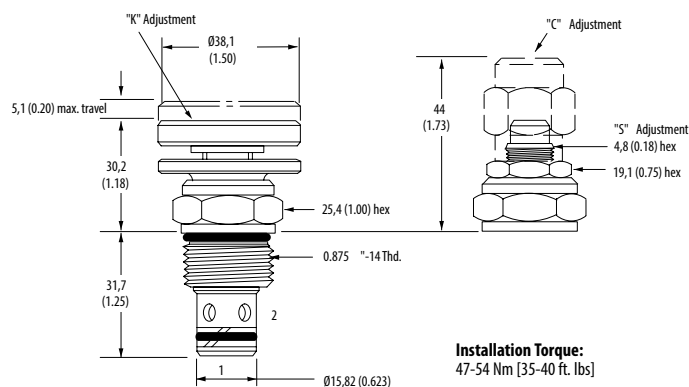


PERFORMANCE DATA

Rated pressure	210 bar [3000 psi]
Rated flow	45 l/min [12 US gpm]
Weight	0.11 kg [0.24 lb]
Cavity	SDC10-2

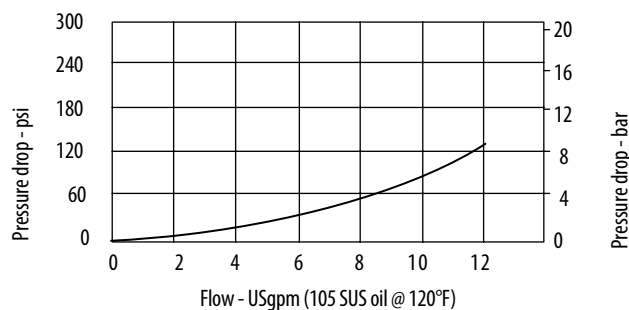
DIMENSIONS

mm [in]



PERFORMANCE CURVES

Pressure Drop



MODEL CODE

FCV7 - 10 - V - C - 0 - NV

Seal Option

Code	Seal Kit
Omit - Buna - N	565806
V - Viton	889627

Adjustment Option

C - Tamper Resistant
K - Knob
S - External

Housing

Code	Ports	Aluminium Standard duty	Aluminium Heavy duty
0	No housing		
3B	3/8" BSP	02-175462	-
6T	#6 SAE	566151	-
2G	1/4" BSP	-	876702
3G	3/8" BSP	-	876703
6H	#6 SAE	-	876700
8H	#8 SAE	-	876701

* Aluminum bodies are to be used for pressures less than 210 bar [3000 psi].
* Additional housings available