

# Flow Control Valves

## FCV7-10

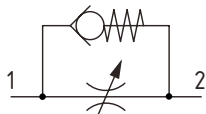
Needle Valve, Fully Adjustable with Reverse Free Flow

210 bar [3000 psi] • 45 l/min [12 US gpm]

### DESCRIPTION AND OPERATION

This is a needle valve with a reverse free flow check. It is a variable orifice used to create a pressure drop when flow passes from port 2 to 1, while allowing free flow when flow passes from 1 to 2. Clockwise rotation of the adjustment screw decreases the flow setting until it is completely closed. The setting can be locked by tightening lock nut or knob on the adjustment screw.

### SCHEMATIC

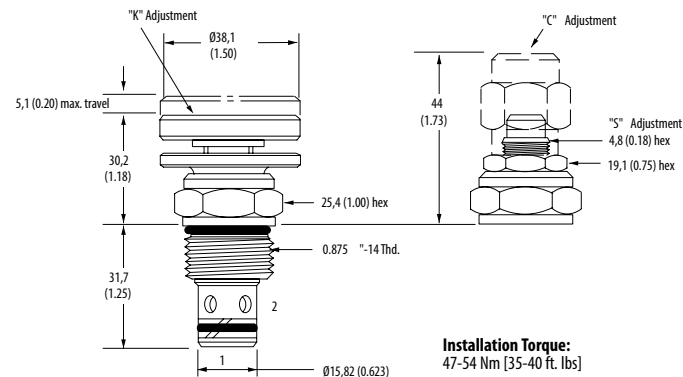


### PERFORMANCE DATA

<b>Rated pressure</b>	<b>210 bar [3000 psi]</b>
<b>Rated flow</b>	<b>45 l/min [12 US gpm]</b>
<b>Weight</b>	0.11 kg [0.25 lbs]
<b>Cavity</b>	SDC10-2

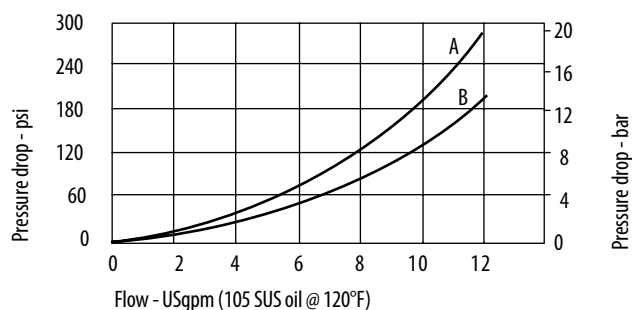
### DIMENSIONS

mm [in]



### PERFORMANCE CURVES

#### Pressure Drop



A - Flow from port 2 to 1 • B - Flow from port 1 to 2

### MODEL CODE

**FCV7 - 10 - V - C - 3B - FF**

#### Seal Option

Code	Seal Kit
Omit-Buna - N	565806
V-Viton	889627

#### Adjustment Option

C - Tamper Resistant
K - Knob
S - External

#### Housing

Code	Ports	Aluminium Standard duty	Aluminium Heavy duty
0	No housing		
3B	3/8" BSP	02-175462	-
6T	#6 SAE	566151	-
2G	1/4" BSP	-	876702
3G	3/8" BSP	-	876703
6H	#6 SAE	-	876700
8H	#8 SAE	-	876701

#### Flow Range

Code	l/min	US gpm
FF	0-45	[0-12]
10	0-6.6	[0-1.75]
20	0-14	[0-3.75]
40	0-27	[0-7.25]

\* Aluminum bodies are to be used for pressures less than 210 bar [3000 psi].

\* Additional housings available