

Flow Control Valves

HFCV10-RT

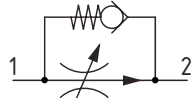
Flow Control, Fully Adjustable, Pressure Compensated, Restrictive Type with Reverse Free Flow

350 bar [5000 psi] • 11.4 l/min [3 US gpm]

DESCRIPTION AND OPERATION

This is a fully adjustable, restrictive type, pressure compensated flow control valve from port 1 to 2 with a reverse free flow check from port 2 to 1. The flow from port 2 will remain constant regardless of the pressure difference across the valve. Flow enters at port 1 and passes across an adjustable orifice in the spool, which creates a pressure drop. This causes the spool to move back against the spring, which then restricts the outlet flow. Flow from port 2 to 1 passes freely across an integral check valve.

SCHEMATIC



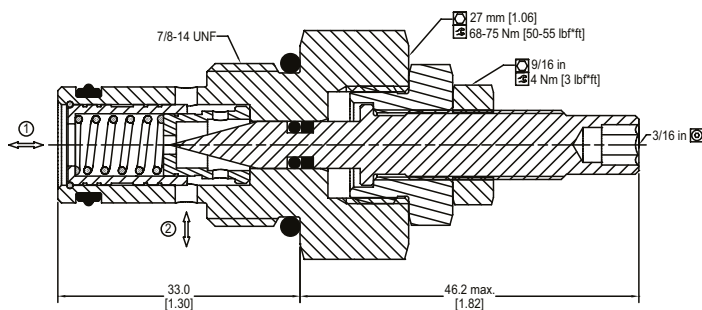
PERFORMANCE DATA

Rated pressure*	350 bar [5000 psi]
Rated flow	11.4 l/min [3 US gpm]
Flow range	0.4-11.4 l/min [0.1-3.0 US gpm]
Flow accuracy	+/- 12%
Leakage	40 ml/min@ rated pressure
Weight	0.17 kg [0.37 lb]
Cavity	SDC10-2

* Rated Pressure based on NFPA fatigue test standards (at 1 Million Cycles).

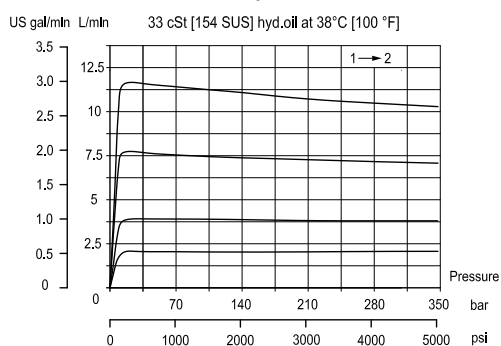
DIMENSIONS

mm [in]

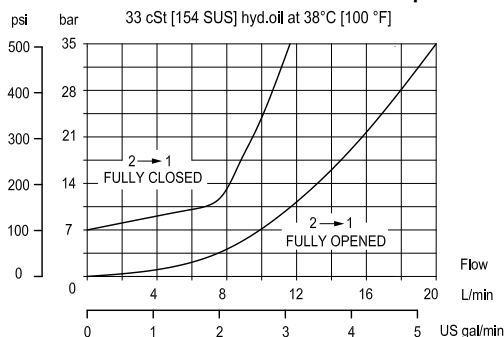


PERFORMANCE CURVES

Flow Compensation



Reverse Flow Pressure Drop



MODEL CODE

HFCV10 - RT - P - E - 4.0 - 00

Seal Option

Code	Seal Kit
P-Polyurethane Single Seal	11132135
V-Viton	354000819

Adjustment Option

E - External
K - Knob

Flow Setting

Code - Flow in l/min
Specify in 1.0 lpm increments within flow range
Example

Code	l/min	[US gpm]
4.0	4.0	1.0

Housing

Code	Ports & Material	Housing Model Code
00	No housing	No Body
DG3B	3/8 BSP, AL	SDC10-2-DG3B
DG4B	1/2 BSP, AL	SDC10-2-DG4B
S4B	1/2 BSP, DUCTILE	CP10-2-S4B
6S	#6 SAE, AL	CP10-2-6S
8S	#8 SAE, AL	CP10-2-8S
S8S	#8 SAE, DUCTILE	CP10-2-S8S

* Aluminum bodies are to be used for pressures less than 210 bar [3000 psi].

* Additional housings available