

# Logic Elements

## DPS2-8-F

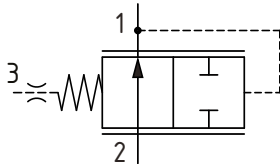
Logic Element, Normally Open, Spool Type, Pilot to Open

350 bar [5000 psi] • 30 l/min [8 US gpm]

### DESCRIPTION AND OPERATION

This is a 3-ported, normally open, pilot to open, spool type logic element. Flow is open from port 2 to port 1, until pressure in port 1 is sufficient to overcome the spring set pressure plus any pressure in port 3. The pressure in port 3 can be controlled remotely making the valve ideal for use as a normally open on/off element in a pressure reducing function. This valve is most commonly used as a pressure compensator in conjunction with a proportional directional valve.

### SCHEMATIC



### PERFORMANCE DATA

Rated pressure	350 bar [5000 psi]
Rated flow	30 l/min [8 US gpm]
Leakage	82 ml/min [5 in <sup>3</sup> /min] @ 350 bar [5000 psi]
Weight	0.07 kg [0.20 lb]
Cavity	SDC08-3

### MODEL CODE

**DPS2 - 8 - V - F - A - 4T - F - 040**

#### Seal Option

Code	Seal kit
Omit-Buna - N	02-160755
V-Viton	02-160756

#### Housing Material

Omit-No housing  
A-Aluminum  
S-Steel

#### Housing

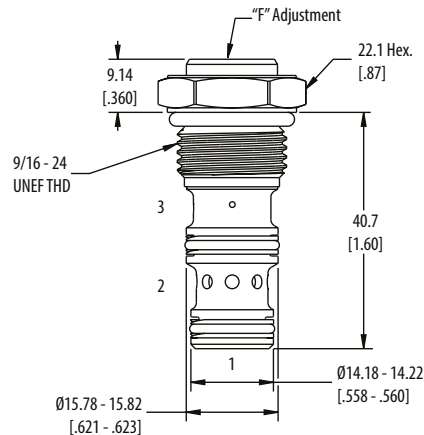
Code	Port size	Aluminum	Steel
0	No housing		
4T	#4 SAE	02-160741	02-160745
6T	#6 SAE	02-160742	02-160746
2G	1/4" BSP	02-160739	02-160743
3G	3/8" BSP	02-160740	02-160744

\* Aluminum bodies are to be used for pressures less than 210 bar [3000 psi].

\* Additional housings available

### DIMENSIONS

mm [in]



Installation torque  
34-41 Nm [25-30 ft lbs]

### PERFORMANCE CURVES

