

Logic Elements

DPS2-8-R

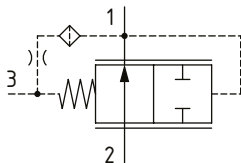
Logic Element, Normally Open, Spool Type, Vent to Close

350 bar [5000 psi] • 30 l/min [8 US gpm]

DESCRIPTION AND OPERATION

This is a 3-ported, normally open, vent to close, spool type logic element. Port 1 is connected to port 3 through an orifice. By opening port 3 to tank, flow is blocked from port 1 to port 2 and port 2 to port 1. Closing port 3 will keep the valve open from port 1 to port 2 and port 2 to 1. By controlling the flow or pressure out of port 3 with a secondary valve, this can be used as an on/off valve or as a pressure reducing valve.

SCHEMATIC

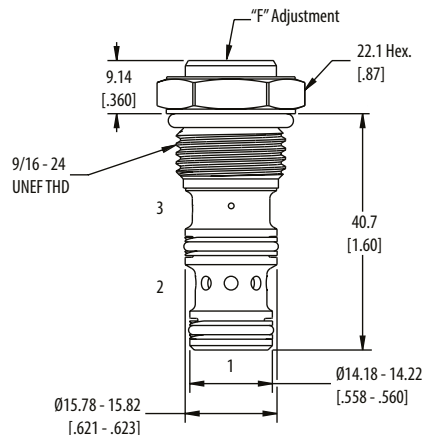


PERFORMANCE DATA

Rated pressure	350 bar [5000 psi]
Rated flow	30 l/min [8 US gpm]
Leakage	82 ml/min [5 in ³ /min] @ 350 bar [5000 psi]
Weight	0.07 kg [0.20 lb]
Cavity	SDC08-3

DIMENSIONS

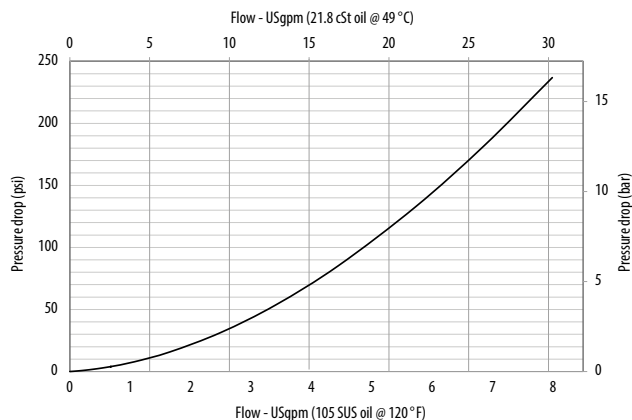
mm [in]



Installation torque
34-41 Nm [25-30 ft lbs]

PERFORMANCE CURVES

Pressure Drop



MODEL CODE

DPS2 - 8 - V - R - A - 4T - F - 040

Seal Option

Code	Seal kit
Omit-Buna - N	02-160755
V-Viton	02-160756

Housing Material

Omit-No housing
A-Aluminum
S-Steel

Housing

Code	Port size	Aluminum	Steel
0	No housing		
4T	#4 SAE	02-160741	02-160745
6T	#6 SAE	02-160742	02-160746
2G	1/4" BSP	02-160739	02-160743
3G	3/8" BSP	02-160740	02-160744

* Aluminum bodies are to be used for pressures less than 210 bar [3000 psi].

* Additional housings available

Differential Pressure

Code	Bar	Psi
040	2.80	[40]
080	5.50	[80]
160	11.0	[160]

Adjustment Option

F- Fixed