

Logic Elements

DPS2-10-B

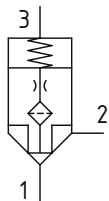
Logic Element, Normally Closed, Poppet Type, Vent to Open

350 bar [5000 psi] • 60 l/min [16 US gpm]

DESCRIPTION AND OPERATION

This is a 3-ported, vent to open, poppet type logic element with port 1 connected to port 3 through an orifice. By opening port 3 to tank, flow can pass from port 1 to port 2 or from port 2 to port 1. Closing port 3 will prevent the valve from opening from port 1 to port 2, but flow can still take place from port 2 to port 1. The area ratio between port 1 and 3 is 1:2 and the ratio between port 1 and 2 is also 1:2. By controlling the flow or pressure out of port 3, the valve can be used as an on/off valve or in a pressure control function.

SCHEMATIC

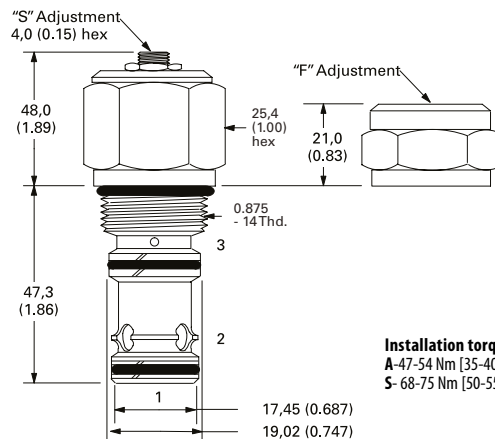


PERFORMANCE DATA

Rated pressure	350 bar [5000 psi]
Rated flow	60 l/min [16 US gpm]
Pilot Ratio	2:1
Leakage	5 drops/min @ 350 bar [5000 psi]
Weight	0.14 kg [0.30 lb]
Cavity	SDC10-3S

DIMENSIONS

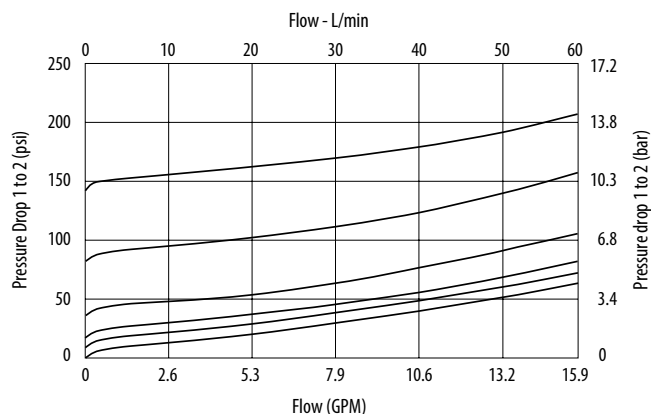
mm [in]



Installation torque
A - 47-54 Nm [35-40 ft. lbs]
S - 68-75 Nm [50-55 ft. lbs]

PERFORMANCE CURVES

Pressure Drop



MODEL CODE

DPS2 - 10 - V - B - F - A - 3G - 040

Seal Option

Code	Seal kit
Omit-Buna - N	889650
V-Viton	889652

Adjustment Option

F - Fixed
 S - Stroke Adjustments

Housing Material

Omit - No Housing
 A - Aluminum
 S - Steel

Housing

Code	Ports 1 & 2	Port 3	Aluminum Heavy Duty	Steel
0			No Housing	
2G	1/4" BSP	1/4" BSP	876707	
3G	3/8" BSP	1/4" BSP	876710	02-163313
4G	1/2" BSP	1/4" BSP		02-163324
6H	#6 SAE	#6 SAE	876706	
8H	#8 SAE	#6 SAE	876712	
6T	#6 SAE	#6 SAE		02-171961
8T	#8 SAE	#6 SAE		02-163322
10T	#10 SAE	#6 SAE		02-163323

Differential Pressure

Code	Bar	Psi
005	0.35	[5]
010	0.7	[10]
020	1.40	[20]
040	2.80	[40]
080	5.50	[80]
160	11.0	[160]

* Aluminum bodies are to be used for pressures less than 210 bar [3000 psi].
 * Additional housings available