

# Logic Elements

## DPS2-10-F

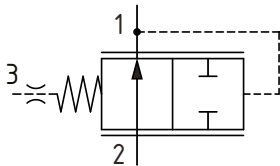
Logic Element, Normally Open, Spool Type, Pilot to Open

290 bar [4200 psi] • 60 l/min [16 US gpm]

### DESCRIPTION AND OPERATION

This is a 3-ported, normally open, pilot to open, spool type logic element. Flow is open from port 2 to port 1, until pressure in port 1 is sufficient to overcome the spring set pressure plus any pressure in port 3. The pressure in port 3 can be controlled remotely making the valve ideal for use as a normally open on/off element in a pressure reducing function. This valve is most commonly used as a pressure compensator in conjunction with a proportional directional valve.

### SCHEMATIC



### PERFORMANCE DATA

<b>Rated pressure</b>	<b>290 bar [4200 psi]</b>
<b>Rated flow</b>	<b>60 l/min [16 US gpm]</b>
<b>Leakage</b>	82 ml/min [5 in <sup>3</sup> /min] @ 290 bar [4200 psi]
<b>Weight</b>	0.14 kg [0.30 lb]
<b>Cavity</b>	SDC10-3S

### MODEL CODE

**DPS2 - 10 - V - F - F - A - 3G - 005**

#### Seal Option

Code	Seal kit
Omit-Buna - N	889650
V-Viton	889652

#### Adjustment Option

F - Fixed

#### Housing Material

Omit-No housing  
A-Aluminum  
S-Steel

#### Housing

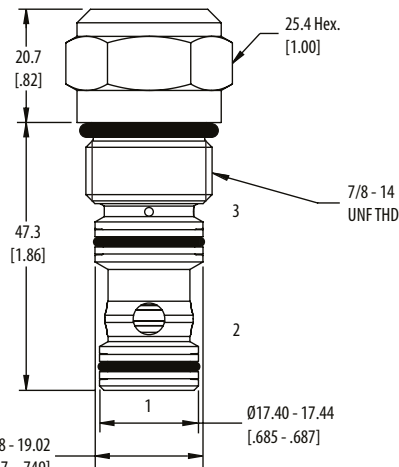
Code	Ports 1 & 2	Port 3	Aluminum Heavy Duty	Steel
0	No Housing			
2G	1/4" BSP	1/4" BSP	876707	
3G	3/8" BSP	1/4" BSP	876710	02-163313
4G	1/2" BSP	1/4" BSP		02-163324
6H	#6 SAE	#6 SAE	876706	
8H	#8 SAE	#6 SAE	876712	
6T	#6 SAE	#6 SAE		02-171961
8T	#8 SAE	#6 SAE		02-163322
10T	#10 SAE	#6 SAE		02-163323

\* Aluminum bodies are to be used for pressures less than 210 bar [3000 psi].

\* Additional housings available

### DIMENSIONS

mm [in]



#### Installation torque

A-47-54 Nm [35-40 ft. lbs]

S-68-75 Nm [50-55 ft. lbs]

Ø18.98 - 19.02

[.747 - .749]

### PERFORMANCE CURVES

#### Pressure Drop

