

# Logic Elements

## DPS2-10-T

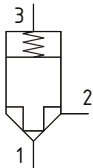
Logic Element, Normally Closed, Poppet Type, Pilot to Close

350 bar [5000 psi] • 60 l/min [16 US gpm]

### DESCRIPTION AND OPERATION

This is a 3-ported, normally closed, pilot to close, poppet type logic element. By opening port 3 to tank, flow can pass from port 2 to port 1 or from port 1 to port 2. Applying pressure to port 3 will prevent the valve from opening in either direction. The area ratio between port 1 and 3 is 1:2 and the ratio between port 1 to 2 is also 1:2. By controlling the pressure in port 3 the valve can be used as an on/off valve or in a pressure control function.

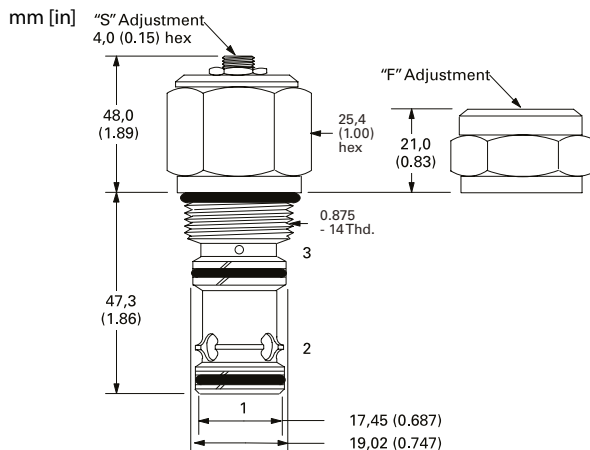
### SCHEMATIC



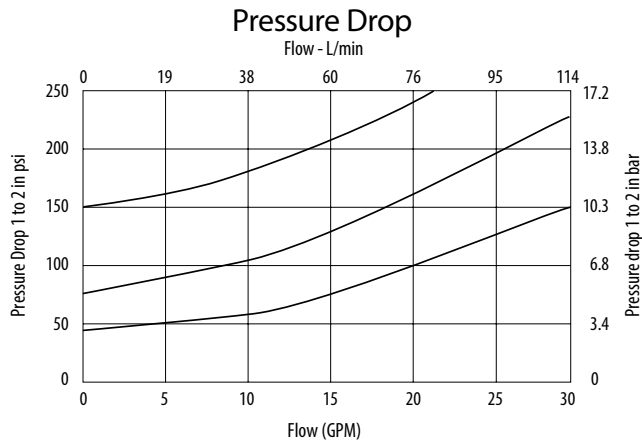
### PERFORMANCE DATA

Rated pressure	350 bar [5000 psi]
Rated flow	60 l/min [16 US gpm]
Pilot Ratio	2:1
Leakage	5 drops/min @ 350 bar [5000 psi]
Weight	0.14 kg [0.30 lb]
Cavity	SDC10-3S

### DIMENSIONS



### PERFORMANCE CURVES



### MODEL CODE

**DPS2 - 10 - V - T - F - A - 2G - 040**

#### Seal Option

Code	Seal kit
Omit-Buna - N	889650
V-Viton	889652

#### Adjustment Option

F- Fixed  
S- Stroke Adjustments

#### Housing Material

Omit- No housing  
A- Aluminum  
S- Steel

#### Housing

Code	Ports 1 & 2	Port 3	Aluminum Heavy Duty	Steel
0	No Housing			
2G	1/4" BSP	1/4" BSP	876707	
3G	3/8" BSP	1/4" BSP	876710	02-163313
4G	1/2" BSP	1/4" BSP		02-163324
6H	#6 SAE	#6 SAE	876706	
8H	#8 SAE	#6 SAE	876712	
6T	#6 SAE	#6 SAE		02-171961
8T	#8 SAE	#6 SAE		02-163322
10T	#10 SAE	#6 SAE		02-163323

#### Differential Pressure

Code	Bar	Psi
005	0.35	[5]
010	0.7	[10]
020	1.40	[20]
040	2.80	[40]
080	5.50	[80]
160	11.0	[160]

\* Aluminum bodies are to be used for pressures less than 210 bar [3000 psi].  
\* Additional housings available