

# Logic Elements

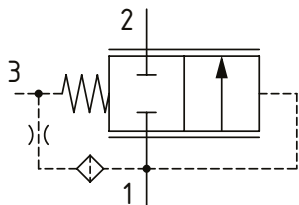
## DPS2-10-V

Logic Element, Normally Closed, Spool Type, Vent to Open  
**290 bar [4200 psi] • 60 l/min [16 US gpm]**

### DESCRIPTION AND OPERATION

This is a 3-ported, normally closed, vent to open spool type logic element. Port 1 is connected to port 3 through an orifice. By opening port 3 to tank, flow can pass from port 1 to port 2 but not from port 2 to port 1. Closing port 3 will prevent the valve from opening from port 1 to port 2. By controlling the flow or pressure out of port 3 with a secondary valve, the valve can be used as an on/off valve or in a pressure control function.

### SCHEMATIC



### PERFORMANCE DATA

Rated pressure	<b>290 bar [4200 psi]</b>
Rated flow	<b>60 l/min [16 US gpm]</b>
Leakage	82 ml/min [5 in3/min] @ 290 bar [4200 psi]
Weight	0.14 kg [0.30 lb]
Cavity	SDC10-3S

### MODEL CODE

**DPS2 - 10 - V - V - F - A - 3G - 005**

#### Seal Option

Code	Seal kit
Omit-Buna - N	889650
V-Viton	889652

#### Adjustment Option

F-Fixed  
 S-Stroke Adjustment

#### Housing Material

Omit-No housing  
 A-Aluminum  
 S-Steel

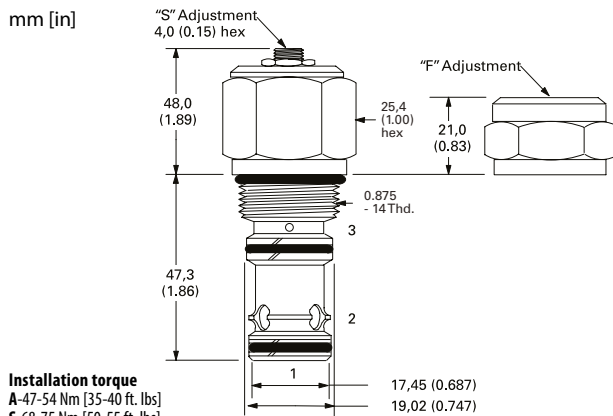
#### Housing

Code	Ports 1 & 2	Port 3	Aluminum Heavy Duty	Steel
0	No Housing			
2G	1/4" BSP	1/4" BSP	876707	
3G	3/8" BSP	1/4" BSP	876710	02-163313
4G	1/2" BSP	1/4" BSP		02-163324
6H	#6 SAE	#6 SAE	876706	
8H	#8 SAE	#6 SAE	876712	
6T	#6 SAE	#6 SAE		02-171961
8T	#8 SAE	#6 SAE		02-163322
10T	#10 SAE	#6 SAE		02-163323

\* Aluminum bodies are to be used for pressures less than 210 bar [3000 psi].

\* Additional housings available

### DIMENSIONS



#### Installation torque

A-47-54 Nm [35-40 ft. lbs]

S-68-75 Nm [50-55 ft. lbs]

### PERFORMANCE CURVES

