

Logic Elements

DPS2-12-B

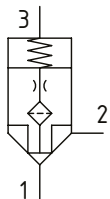
Logic Element, Normally Closed, Poppet Type, Vent to Open

350 bar [5000 psi] • 114 l/min [30 US gpm]

DESCRIPTION AND OPERATION

This is a 3-ported, vent to open, poppet type logic element with port 1 connected to port 3 through an orifice. By opening port 3 to tank, flow can pass from port 1 to port 2 or from port 2 to port 1. Closing port 3 will prevent the valve from opening from port 1 to port 2, but flow can still take place from port 2 to port 1. The area ratio between port 1 and 3 is 1:2 and the ratio between port 1 and 2 is also 1:2. By controlling the flow or pressure out of port 3, the valve can be used as an on/off valve or in a pressure control function.

SCHEMATIC

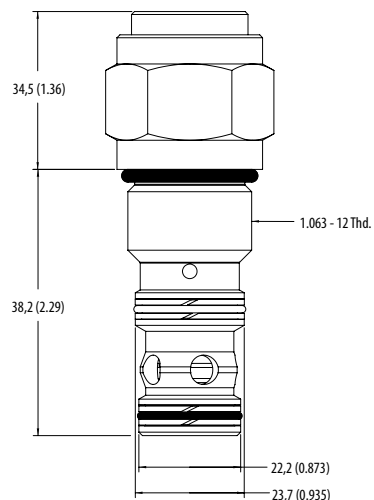


PERFORMANCE DATA

Rated pressure	350 bar [5000 psi]
Rated flow	114 l/min [30 US gpm]
Pilot Ratio	2:1
Leakage	5 drops/min @ 350 bar [5000 psi]
Weight	0.31 kg [0.68 lb]
Cavity	C-12-3S

DIMENSIONS

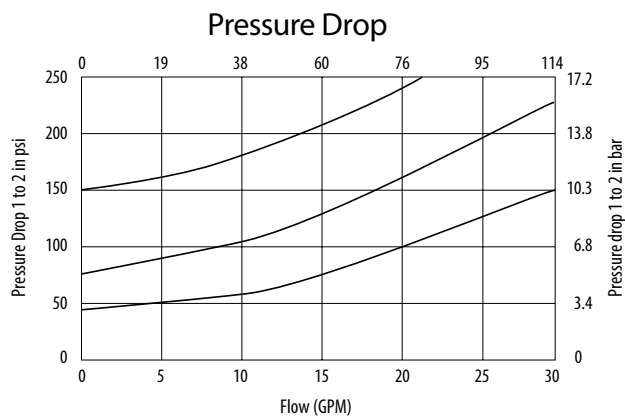
mm [in]



Installation torque

A-81-95 Nm [60-70 ft. lbs]
S-102-115 Nm [75-85 ft. lbs]

PERFORMANCE CURVES



MODEL CODE

DPS2 - 12 - V - B - F - A - 10T - 040

Seal Option

Code	Seal kit
Omit-Buna - N	02-165872
V-Viton	02-165886

Adjustment Option

F- Fixed

Housing Material

Omit - No housing
A - Aluminum
S - Steel

Differential Pressure

Code	Bar	Psi
040	2.80	[40]
080	5.50	[80]
160	11.0	[160]

Housing

Code	Port 1 & 2	Port 3	Aluminium Heavy duty	Steel
0	No housing			
10T	#10 SAE	#6 SAE	02-178268	02-160996
12T	#12 SAE	#6 SAE	02-178269	02-160997
4G	1/2" BSP	3/8" BSP	02-178270	02-160994
6G	3/4" BSP	3/8" BSP	02-178271	02-160995

* Aluminum bodies are to be used for pressures less than 210 bar [3000 psi].

* Additional housings available